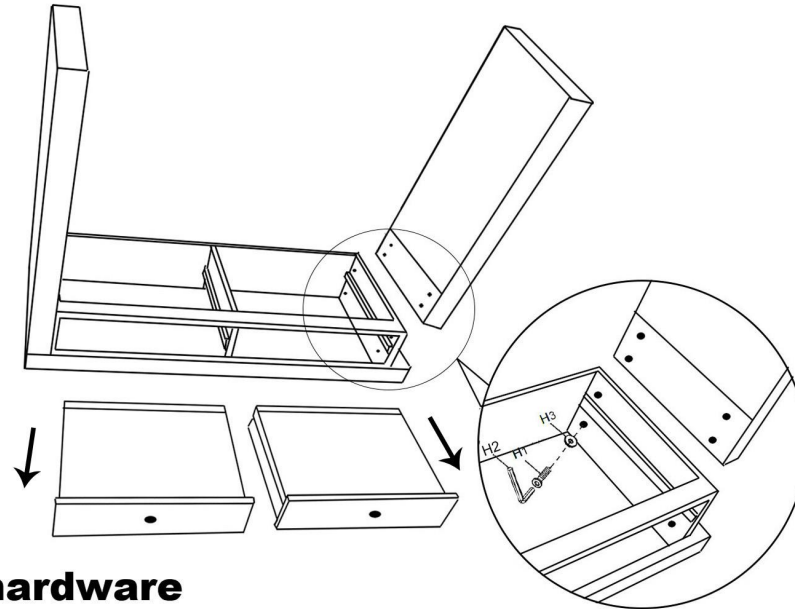




Assembly Instructions

MF6-1052

1. Carefully unpack the parts of the carton.
2. Put the table top on a flat floor and turn the table upside down.
3. Pull the drawers out.
4. Align the leg to the hold on the top as shown in the sketch and screw the leg.
5. After screw the legs, put the drawers back and turn the table back down.



hardware

(H1) x 8
Screw



(H2) x 1
Allen wrench



(H3) x 8
Flat Washer

