

LIVING DISTRICT

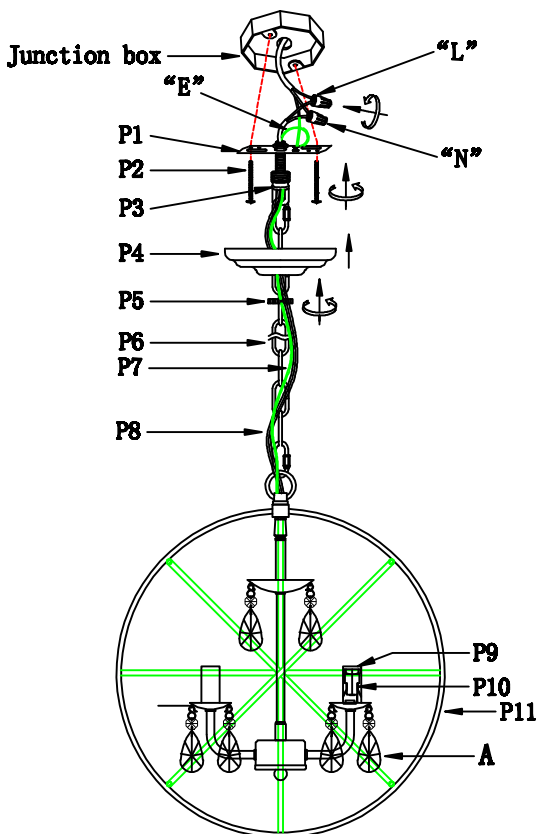
Collection: Wallace

Installation manual for:

LD5055D16 D16"H17.5"L4

Installation instructions:

1. Black wire from ceiling(junction box) attaches to "L" wire from the fixture.
 2. White wire from ceiling(junction box) attaches to "N" wire from the fixture.
 3. "E" wire from the fixture is attached to the mounting bracket and an additional "E" wire from the mounting bracket must be secured to the junction box.
 4. Secure mounting bracket to the junction box.
 5. Insert screws(P2) in side of top unit the mounting bracket.
 6. Fix the loop (P3) to screw tube, then cover the canopy (P4) and fix it by canopy ring(P5).
 7. Hanging crystal string (A) on lampbody(P11).
 8. Install the bulbs(not included) into the lamp fixture.
- The end!



"L" = Hot wire
 "N" = Neutral wire
 "E" = Ground wire

PARTS LIST

part	picture	Description	Qty	Check list
P1		L4" Mounting bracket	1	
P2		5/32-32 Screw	2	
P3		Canopy loop (Canopy part)	1	
P4		ø5.3" canopy plat	1	
P5		Canopy ring (Canopy part)	1	
P6		L59" CHAIN04P Plain Design	1	
P7		ground wire	1	
P8		Power Cord 79" SPT-1-18# Brown	1	
P9		D1"×1.2" tube	4	
P10		E12 lampholder	4	
P11		D16"×H15.9" lampbody	1	
A		Crystal	12	