

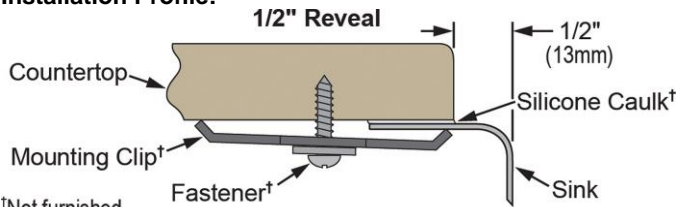
PRODUCT SPECIFICATIONS

Elkay Lustertone™ Classic Stainless Steel 39-1/2" x 20" x 10", Triple Bowl Undermount Sink Kit. Sink is manufactured from 18 gauge 304 Stainless Steel with a Lustrous Satin finish, Sides and Bottom pads.

Installation Type:	Undermount
Material:	304 Stainless Steel
Finish:	Lustrous Satin
Gauge:	18
Sound Deadening:	Sides and Bottom pads
Number of Bowls:	3
Sink Dimensions:	39-1/2" x 20" x 10"
Bowl 1 Dimensions:	16" x 17-1/2" x 10"
Bowl 2 Dimensions:	7" x 14-1/8" x 5-9/16"
Bowl 3 Dimensions:	11-1/2" x 15" x 7-1/2"
Drain Size:	3-1/2" (89mm)
Minimum Cabinet Size:	45"
Mounting Hardware:	Undermount brackets sold separately
Template Included:	Yes
Cutout Template #:	1000001462

Template is available for download at [elkay.com](#)

Installation Profile:



†Not furnished

Designed to affix to the underside of any solid surface countertop.

OPTIONAL ACCESSORIES

Cutting Board:	CB1713 (large bowl)
Hardware:	LKUCLIP8 (2 Required)
Soap Dispenser:	LKHA1054



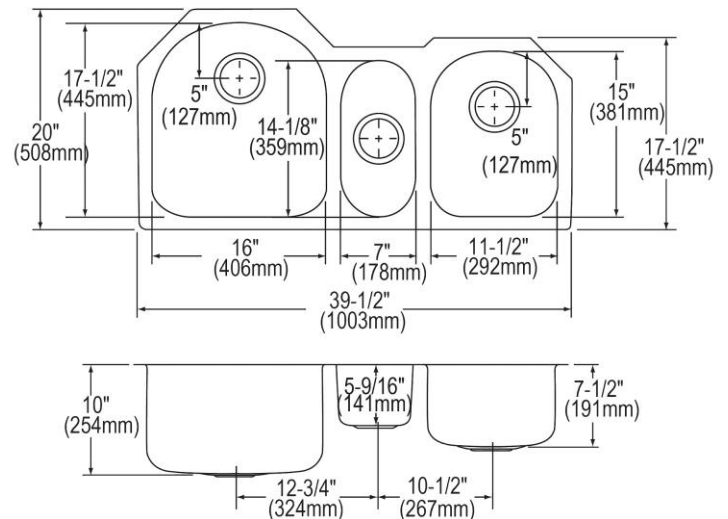
Included with Product: ELUH3920 sink,
one LKWOBG1617SS bottom grid,
one LKWOBG1115SS bottom grid,
two LK99 drains

AMERICAN PRIDE. A LIFETIME TRADITION.
Like your family, the Elkay family has values and traditions that endure. For almost a century, Elkay has been a family-owned and operated company, providing thousands of jobs that support our families and communities.



Product Compliance: ASME A112.19.3/CSA B45.4
BUY AMERICAN ACT
Accessory: ASME A112.18.2/CSA B125.2

[Clean and Care Manual \(PDF\)](#)
[Installation Instructions \(PDF\) - 74180187](#)
[Installation Instructions \(PDF\) - 74210010_Drain](#)
[Limited Lifetime Warranty \(PDF\)](#)



PART: _____ QTY: _____

PROJECT: _____

CONTACT: _____

DATE: _____

NOTES: _____

APPROVAL: _____

In keeping with our policy of continuing product improvement, Elkay reserves the right to change product specifications without notice. Please visit [elkay.com](#) for the most current version of Elkay product specification sheets. This specification describes an Elkay product with design, quality, and functional benefits to the user. When making a comparison of other producers' offerings, be certain these features are not overlooked.