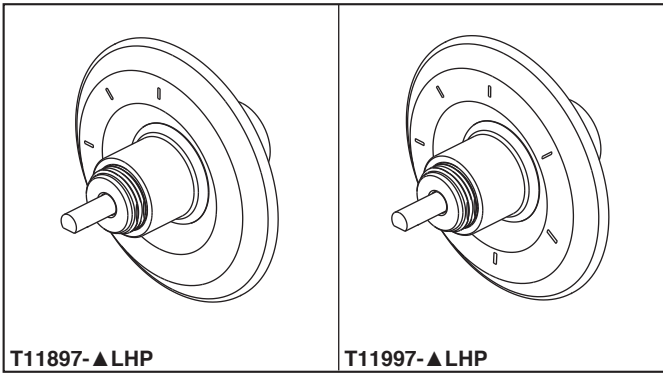




see what Delta can do™

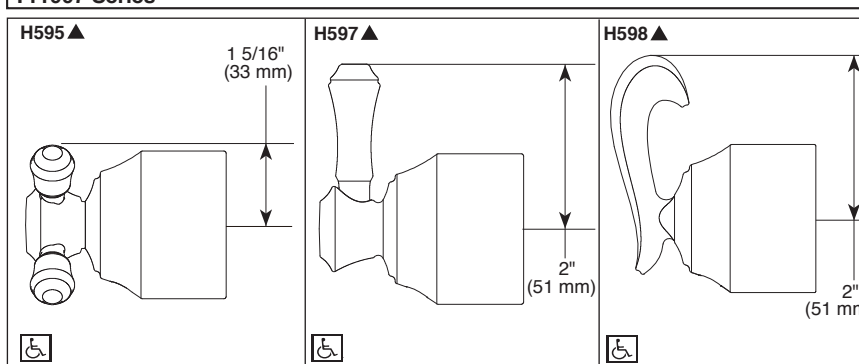
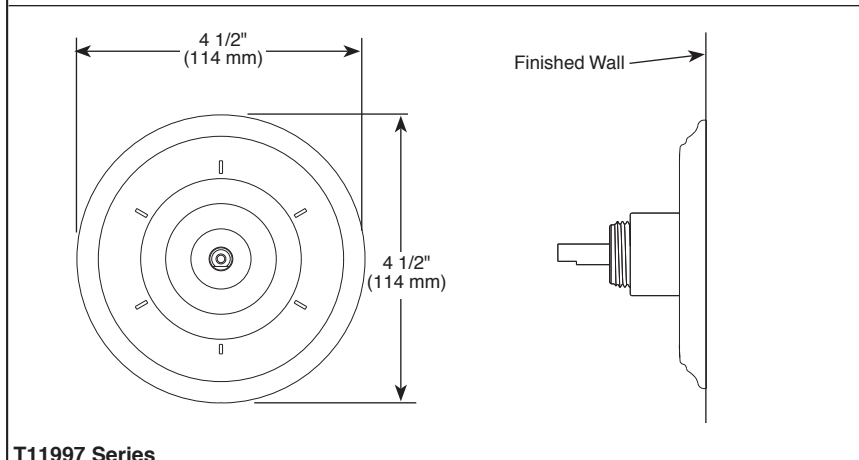
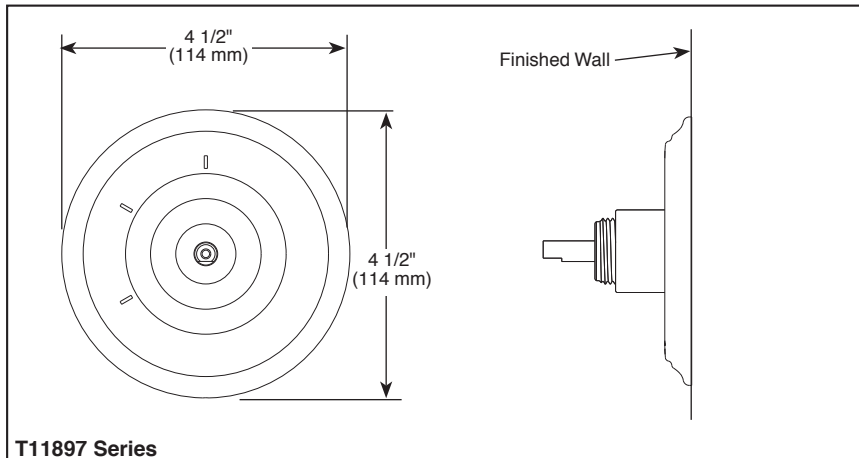
# CUSTOM SHOWER DIVERTER

- Cassidy™ Series
- Three Function Diverter Trim (T11897 Series)
- Six Function Diverter Trim (T11997 Series)
- Coordinates With All Delta Cassidy™ Styled Bath Suites



Submitted Model No.: \_\_\_\_\_

Specific Features: \_\_\_\_\_



▲ Designate proper finish suffix

Delta reserves the right (1) to make changes in specifications and materials, and (2) to change or discontinue models, both without notice or obligation. Dimensions are for reference only. See current full-line price book or [www.deltafaucet.com](http://www.deltafaucet.com) for finish options and product availability.

DSP-B-T11897-LHP Rev. D

## STANDARD SPECIFICATIONS

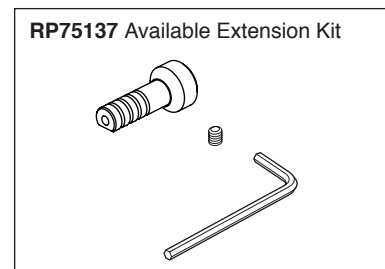
- Three function diverter. 2 individual positions, 1 shared position.
- For two individual functions, no shared functions, order additional RP71717.
- Six function diverter. 3 individual positions, 3 shared positions.
- For three individual functions, no shared functions, order additional RP71718.
- Must also order R1 1000 rough-in to complete installation.
- LHP - Less Handle Program. See handle options below.

## WARRANTY

- Lifetime limited warranty on parts (other than electronic parts and batteries) and finishes; or, for commercial users, for 5 years from date of purchase.
- 5 year limited warranty on electronic parts (other than batteries); or, for commercial users, for 1 year from the date of purchase. No warranty is provided on batteries.

## COMPLIES WITH:

- ASME A112.18.1 / CSA B125.1
- ASSE 1016
- ♿ Indicates compliance to ICC/ANSI A117.1



## Delta Faucet Company

55 E. 111th Street, Indianapolis, IN 46280  
 350 South Edgeview Road, St. Thomas, ON N5P 4L1  
 © 2018 Delta Faucet Company