

see what Delta can doSM

AUTO DRAIN

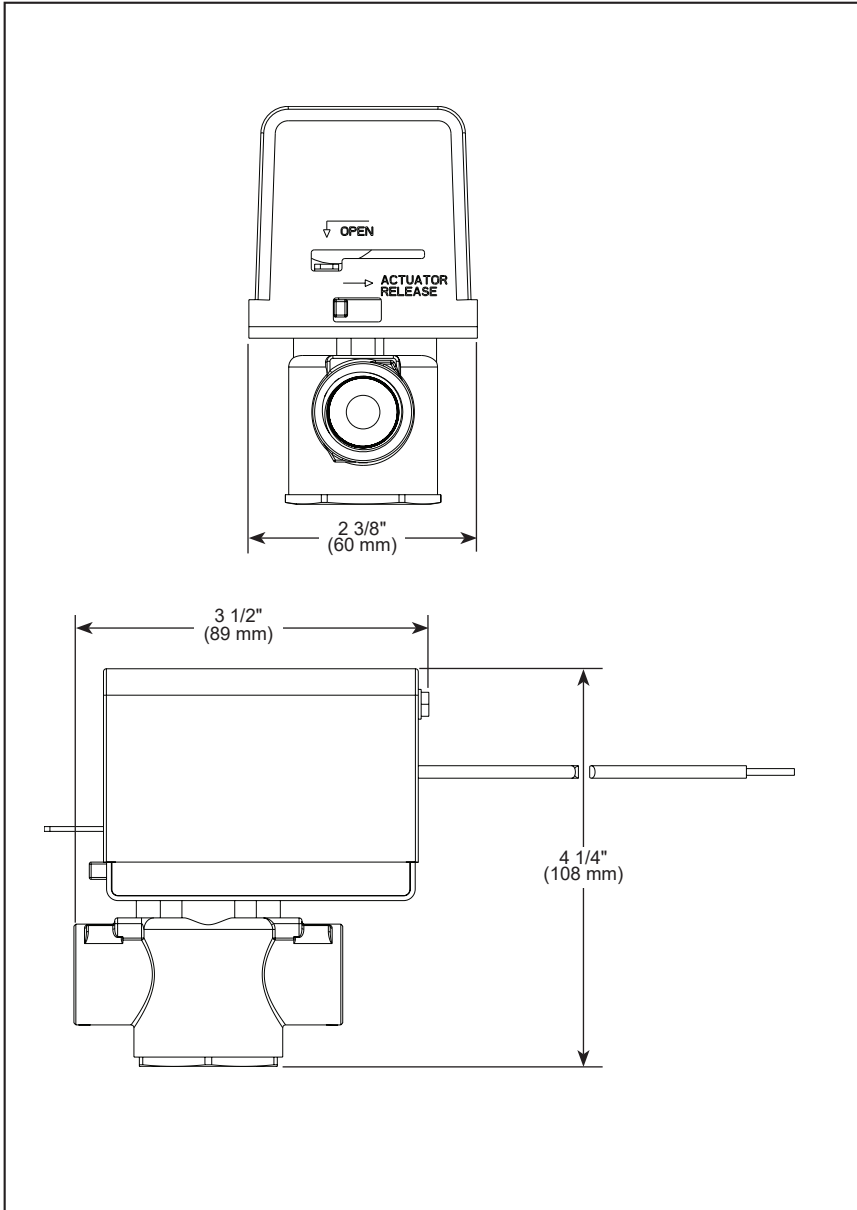
- 208V (5GA-ADD-208)
- 240V (5GA-ADD-240)

STANDARD SPECIFICATIONS:

- Connects to a factory installed auto drain PCB terminal block, located inside the generator cabinet
- Inlet & Outlet - 1/2" NPT brass female thread
- For use with 5GE-SMP Steam generators
- Normally Closed (N.C.) Valve

WARRANTY

- Please see separate warranty documentation



Delta reserves the right (1) to make changes in specifications and materials, and (2) to change or discontinue models, both without notice or obligation. Dimensions are for reference only. See current full-line price book or www.deltafaucet.com for finish options and product availability.

DSP-S-5GA-ADD-208 Rev. C

Delta Faucet Company

55 E. 111th Street, Indianapolis, IN 46280
350 South Edgeware Road, St. Thomas, ON N5P 4L1
© 2023 Delta Faucet Company