

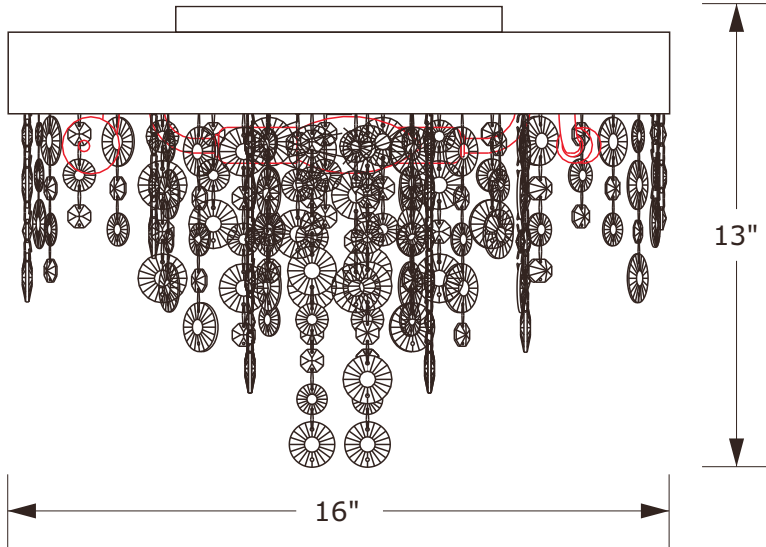
CRYSTORAMA

LIGHTING THE WAY FOR SIXTY YEARS

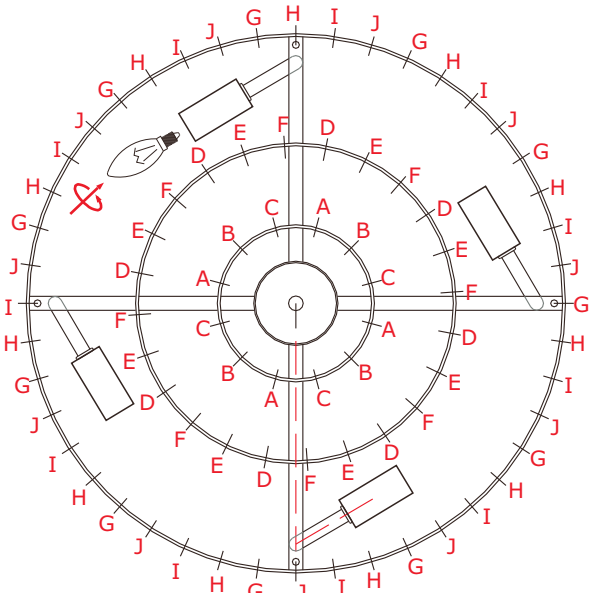


Crystorama.com

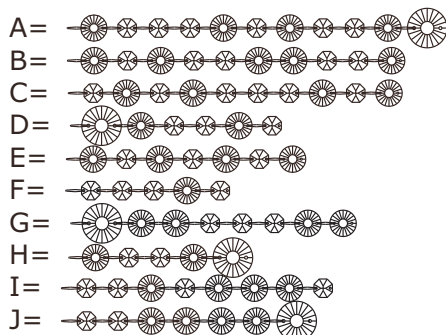
ASSEMBLY INSTRUCTION MODEL #WIN-613-GA-CL-MWP



DETAILED ILLUSTRATION



SUGGESTED CRYSTAL PLACEMENT TOP VIEW
PLEASE REFERENCE CRYSTAL KEY



WARNING:

Electrical Danger Turn Power Off

All electrical components must be installed by a licensed electrician in accordance with the National Electric Code and the appropriate local electrical codes.



You will need 4 -Candelabra Base Bulb

40 Watts Recommended 60 Watts Max.

USE LED BULBS FOR EXTENDED USE

THIS FIXTURE IS DAMP RATED

How to Install

1. Do a complete inventory of all parts and components before you start installation.
2. Insert recommended bulb (not included).
3. Raise the canopy onto the outlet box, and secure it with the ball nuts.
4. Dress the fixture with crystal as illustrated.

Crystal Key

- A. 4 Sets.
(6)14mm + (4)20mm + (1)30mm
- B. 4 Sets.
(5)14mm + (5)20mm
- C. 4 Sets.
(6)14mm + (4)20mm
- D. 8 Sets.
(3)14mm + (2)20mm + (1)30mm
- E. 8 Sets.
(3)14mm + (4)20mm
- F. 8 Sets.
(4)14mm + (1)20mm
- G. 11 Sets.
(3)14mm + (4)20mm + (1)30mm
- H. 11 Sets.
(2)14mm + (2)20mm + (1)30mm
- I. 11 Sets.
(4)14mm + (4)20mm
- J. 11 Sets.
(2)14mm + (4)20mm + (1)30mm

WARNING: This product can expose you to Lead, which is known to the State of California to cause cancer and/or birth defects or reproductive harm. For more information go to www.P65Warnings.ca.gov.

CRYSTORAMA

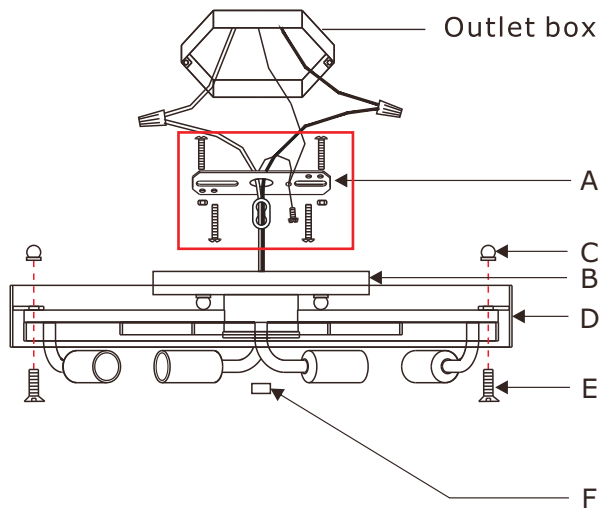
LIGHTING THE WAY FOR SIXTY YEARS



Crystorama.com

PART NUMBER MODEL #WIN-613-GA-CL-MWP

Part Number



- A. (1) - Mounting Hardware
- B. (1) - Canopy(W8",H1") #XRE613GACAN8IN
- C. (6) - Ball Nut #XRE612GABANUT
- D. (1) - Metal Frame
- E. (4) - Flat Screw
- F. (1) - Finial #XRE613GAFIN