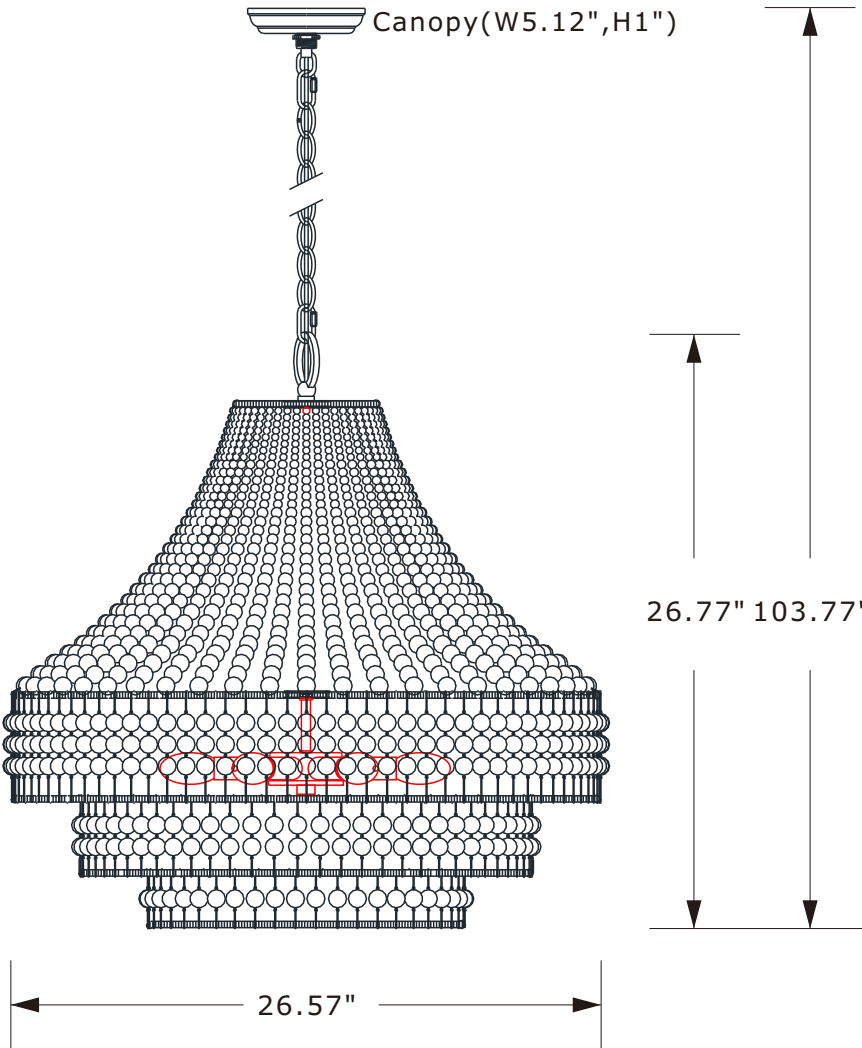


CRYSTORAMA

LIGHTING THE WAY FOR SIXTY YEARS

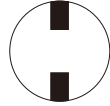
ASSEMBLY INSTRUCTION MODEL #SIL-B6006-BS



WARNING:



Electrical Danger



Turn Power Off

All electrical components must be installed by a licensed electrician in accordance with the National Electric Code and the appropriate local electrical codes.



You will need 6-Candelabra Base Bulb
40 Watts Recommended 60 Watts Max.

USE LED BULBS FOR EXTENDED USE

This fixture is DAMP rated

How to Install

1. Screw one end (with shorter threading) of the center stem into the coupler on the top of cluster.
2. Slide the top rings slot across the top end of the center stem, resting the top ring against the check ring. (the check ring can be adjusted up or down, to loosen or tighten the hanging position of the jute strands)
3. Secure the top ring with hex nut. Place the metal plate over it and secure with fixture loop.
4. Insert recommended bulb (not included).
5. Attach the lower frame onto the upper frame.



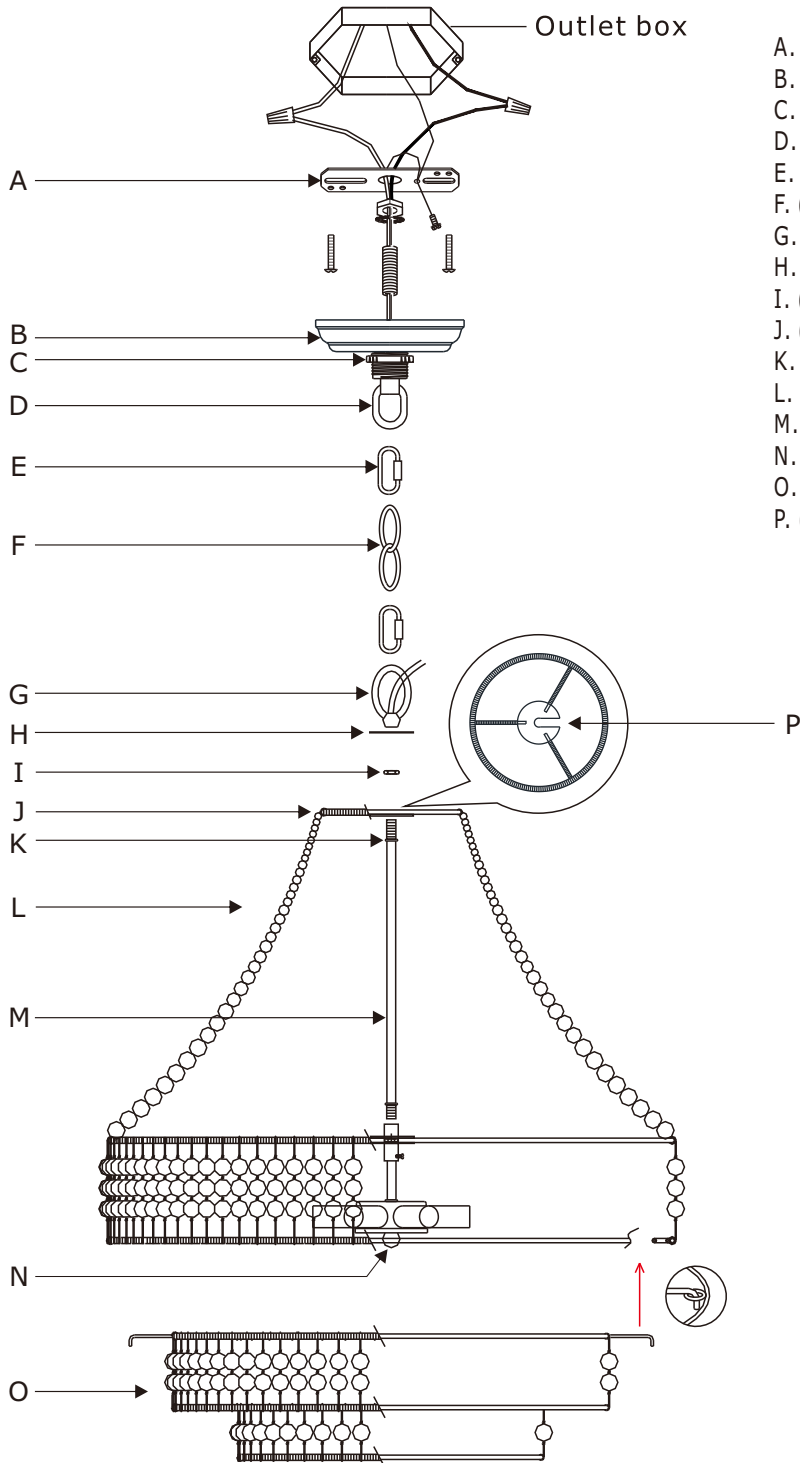
WARNING: This product can expose you to Lead, which is known to the State of California to cause cancer and/or birth defects or reproductive harm. For more information go to www.P65Warnings.ca.gov.

CRYSTORAMA

LIGHTING THE WAY FOR SIXTY YEARS

PART NUMBER MODEL #SIL-B6006-BS

Part Number



- A. (1) - Mounting Hardware
- B. (1) - Canopy(W5.12",H1") #XRE6006BSCAN5.12IN
- C. (1) - Collar Ring
- D. (1) - Collar Loop
- E. (2) - Quick Link
- F. (1) - Hanging Chain(72",4mm) #XRE6003BSCHA4MM
- G. (1) - Fixture Loop
- H. (1) - Round Metal Plate
- I. (1) - Hex Nut
- J. (1) - Top Ring
- K. (1) - Check Ring
- L. (1) - Upper Frame
- M. (1) - Center Stem(13.58",9.7mm) #XRE6006BSSTEM13.58IN
- N. (1) - Finial #XRE6006BSFIN
- O. (1) - Lower Frame
- P. (1) - Slot