

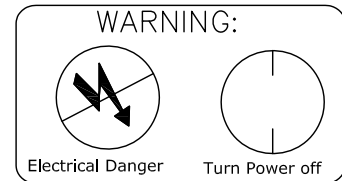
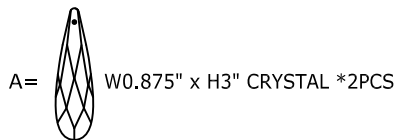
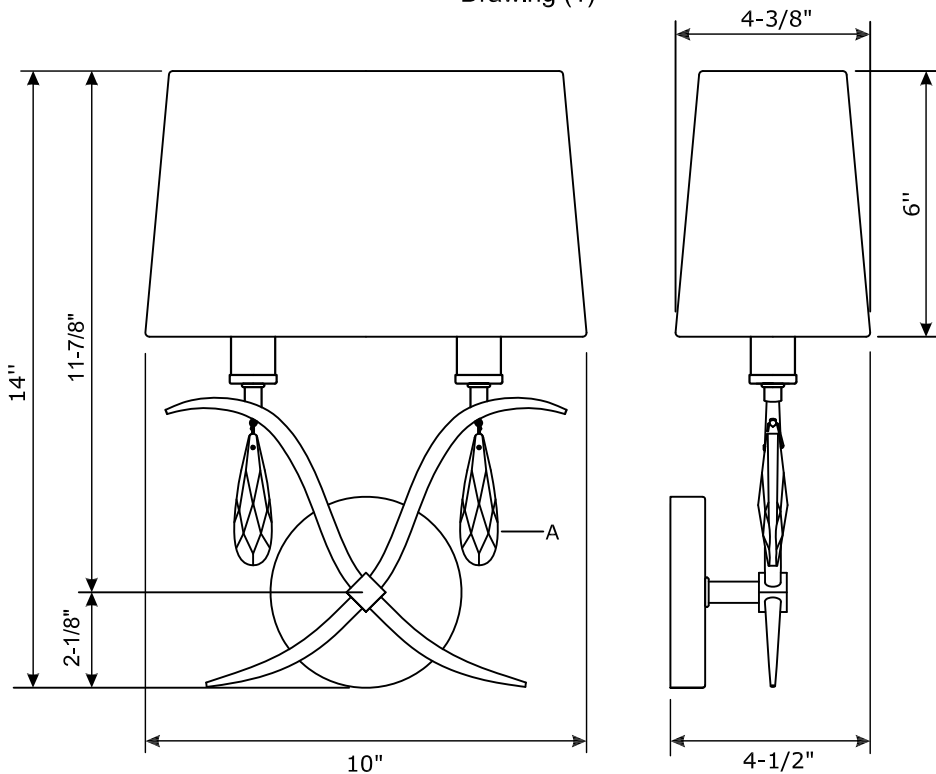
CRYSTORAMA

LIGHTING THE WAY FOR SIXTY YEARS



ASSEMBLY INSTRUCTION MODEL #ROL18802GA

Drawing (1)



All electrical components must be installed by a licensed electrician in accordance with the National Electric Code and the appropriate local electrical codes.

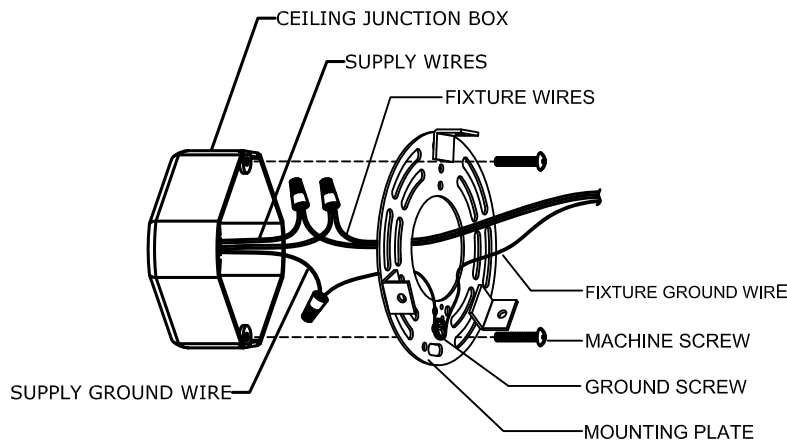


You will need 2-Candelabra FROSTED 25 Watts Recommended 40 Watts Max.
USE LED BULBS FOR EXTENDED USE
THIS FIXTURE IS DRY RATED

Please place the fixture frame on a soft cloth covered table before the installation.

1. Install the mounting plate on the outlet box using two outlet box screws.
2. Attach the Back plate (B) over the Mounting Plate and secure with the 3 screws.
3. Place the Shade (E) into the Candle Sleeve .
4. Install the Bulb (F) into the Socket.
5. Hook the Crystals onto the arm.

Drawing (2)



WARNING: This product can expose you to Lead which is known to the state of California to cause cancer and/or birth defects or reproductive harm. For more information go to www.P65Warnings.ca.gov

CRYSTORAMA

LIGHTING THE WAY FOR SIXTY YEARS



ASSEMBLY INSTRUCTION MODEL #ROL18802GA

Part Number

Part Numbers

- A. (1)-Mounting hardware
- B. (1)-Back Plate W4.375" x H0.75"(XFW18802GABKP4.375IN)
- C. (3)-Mounting Screws
- D. (1)-Lamp Body
- E. (1)-Shade W10" x H6"(XFW18802GASHA10IN)
- F. (2)-Bulb (Not included)

