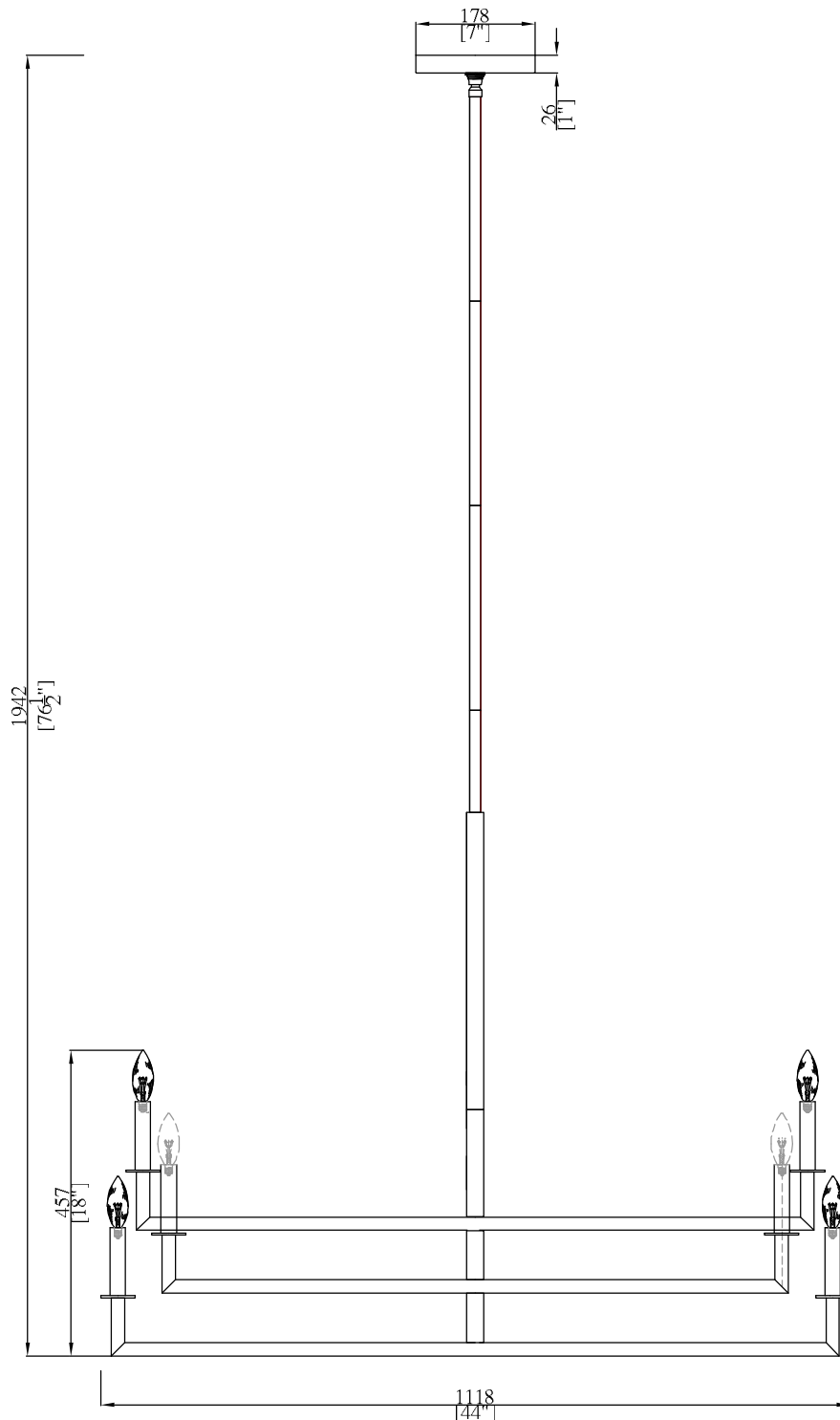


CRYSTORAMA

LIGHTING THE WAY FOR SIXTY YEARS

ASSEMBLY INSTRUCTION MODEL:DNT-6046-AG



All electrical components must be installed by a licensed electrician in accordance with the National Electric Code and the appropriate local electrical codes.



You will need 6- Candelabra Base Bulb
40 Watts Recommended 60 Watts Max .
USE LED BULBS For EXTENDED USE

This fixture is Damp rated.

How to Install

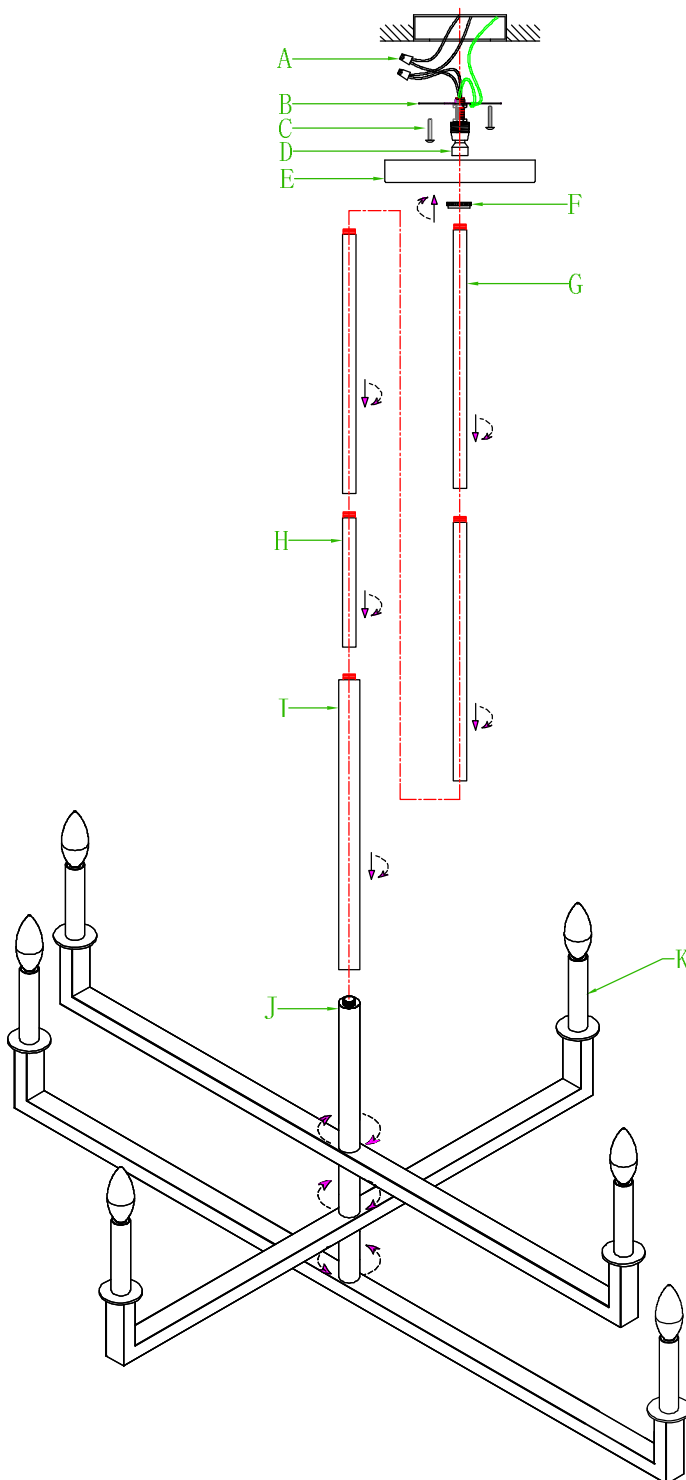
1. Feed the wire through metal tube and thread it onto the top of the frame. It is recommended to remove the threaded nipple on the end of metal tube to facilitate the feeding.
2. Determine the preferred hanging height and adjust the desired rods.
3. Feed the wire through the rods and connect them together.
4. Slide the collar ring and canopy in that order along the fixture wire until both reaches the top of the upper-most rod.
5. Thread the swivel onto the top of the upper-most rod. The swivel is pre-attached onto the mounting bar and does not need to be removed from it.
6. Raise the fixture up to the ceiling outlet box and install the mounting bar to the outlet box using two outlet screws.
7. After the wire connection is done, Raise the canopy up to cover the outlet box and secure it with collar loop.

⚠ WARNING : This product can expose you to lead , which is known to the State of California to cause cancer and / or birth defects or reproductive harm . For more information go to [www .P65warnings. ca . gov](http://www.P65warnings.ca.gov)

CRYSTORAMA

LIGHTING THE WAY FOR SIXTY YEARS

PART NUMBER MODEL: DNT-6046-AG



Part Number

- A. (2) - Wire Connector
- B. (1) - Mounting Bar
- C. (2) - Outlet Box Screws
- D. (1) - Collar Loop
- E. (1) - Canopy Ø7" # XBJ6026AGCAN7IN
- F. (1) - Collar Ring
- G. (3) - 12" Rod # XBJ6026AGROD12IN
- H. (1) - 6" Rod # XBJ6026AGROD6IN
- I. (1) - Metal Tube (Ø1" * 5/8")
- J. (1) - Frame
- K. (6) - 4" Candle Sleeve # XBJ6026AGCDL4IN