

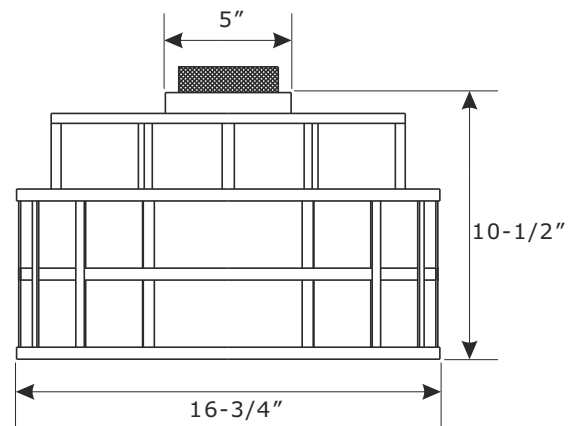
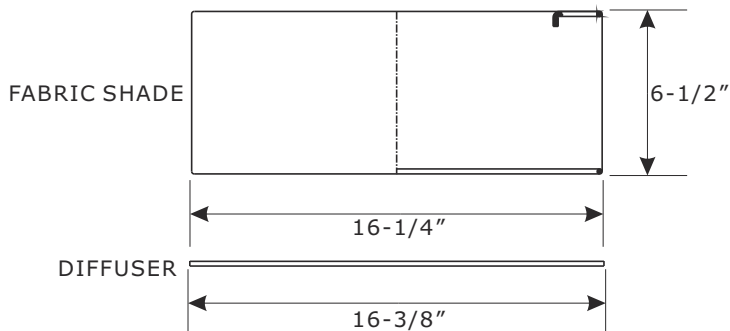
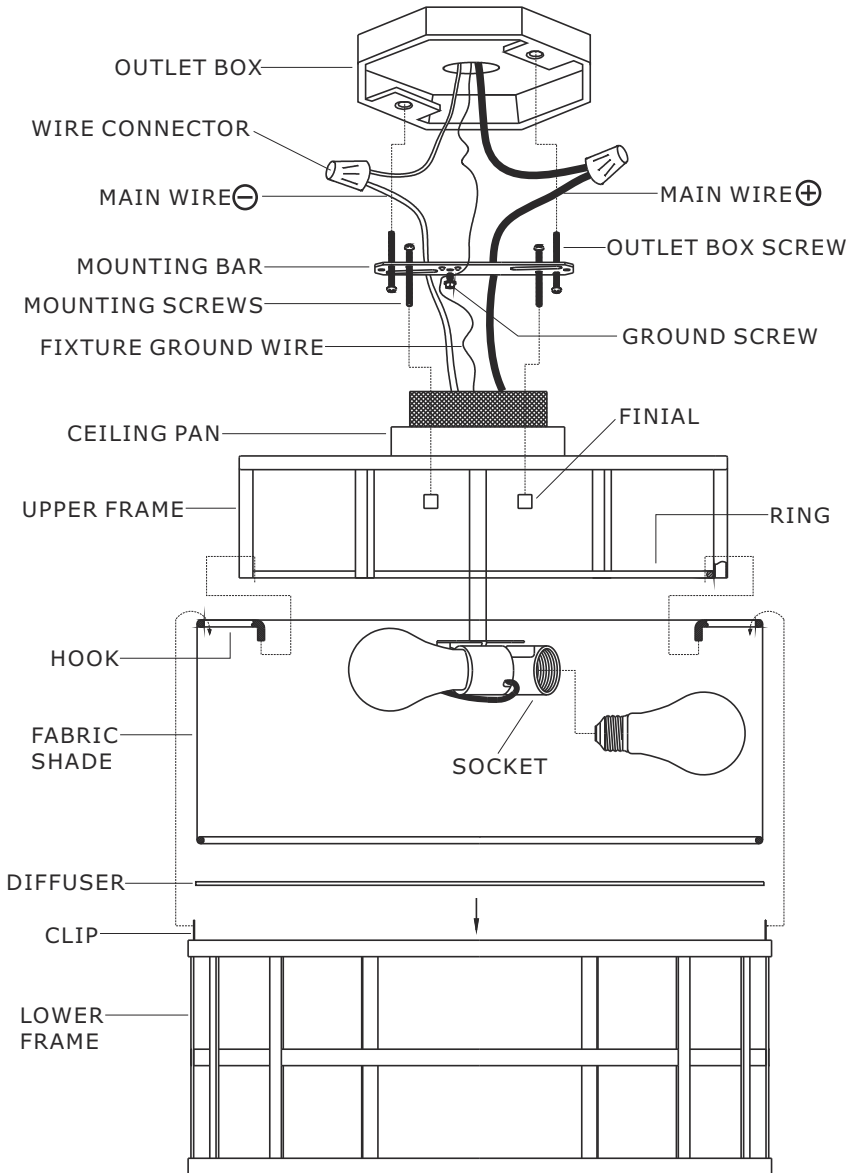
CRYSTORAMA

1958

95 Cantiague Rock Road, Westbury, NY 11590 • toll free: 1.800.888.4470 fax: 516.931.1254 • info@crystorama.com • www.crystorama.com

MODEL#: DAN-400-VG

ASSEMBLY AND DRESSING INSTRUCTIONS



WARNING: This product can expose you to Lead which is known to the state of California to cause cancer and/or birth defects or reproductive harm. For more information go to www.P65Warnings.ca.gov

All electrical components must be installed by a licensed electrician in accordance with the National Electric Code and the appropriate local electrical codes.



You will need 3 Medium base bulbs 60 Watts recommended, Use LED bulbs for Extended use. Bulb not included

HOW TO INSTALL:

1. INSTALL THE CEILING PAN AND UPPER FRAME ONTO THE OUTLET BOX.
2. SLIDE THE GLASS DIFFUSER ONTO THE BOTTOM OF LOWER FRAME.
3. SLIDE THE FABRIC SHADE INSIDE THE LOWER FRAME AND SECURE IT WITH CLIPS.
4. INSTALL THE BULB ONTO SOCKETS.
5. RAISE THE LOWER FRAME UP AND HANG IT ONTO THE RING ON THE BOTTOM OF UPPER FRAME.

HOW TO REPLACE THE BULB:

PLEASE TAKE THE LOWER FRAME OFF THE UPPER FRAME TO CHANGE THE BULB.

2018-08