

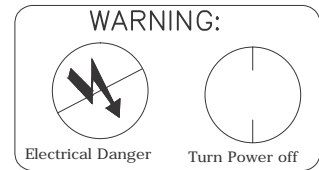
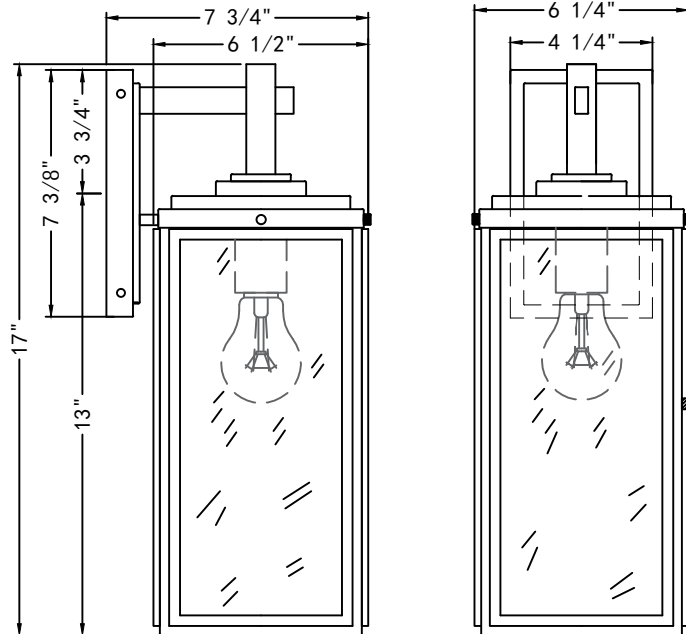
CRYSTORAMA

LIGHTING THE WAY FOR SIXTY YEARS



Crystorama.com

ASSEMBLY INSTRUCTION MODEL #BYR-80102-MK



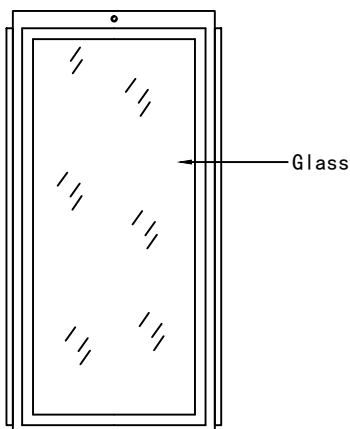
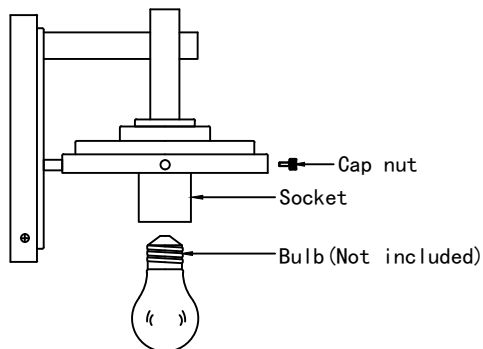
All electrical components must be installed by a licensed electrician in accordance with the National Electric Code and the appropriate local electrical codes.



You will need 1- Medium Base Bulb
60 Watts Recommended 100 Watts Max.
USE LED BULBS FOR EXTENDED USE
THE FIXTURE IS WET RATED

How to install

1. Install the mounting plate to the outlet box using two outlet box screws.
2. Install the frame onto the mounting plate, and secure with the screws.
3. Insert the glass panel into the channel on the bottom of cage and secure it with the clip.
4. Install the bulb(not included) into the socket.
5. Install the cage onto the frame and secure with the cap nut.



WARNING: This product can expose you to Lead which is known to the state of California to cause cancer and/or birth defects or reproductive harm. For more information go to www.P65Warnings.ca.gov

CRYSTORAMA

LIGHTING THE WAY FOR SIXTY YEARS



Crystorama.com

ASSEMBLY INSTRUCTION MODEL#BYR-80102-MK

Part Number

Part Numbers

- A. (1)-Mounting hardware
- B. (4)-Screw
- C. (4)-Glass panel 5 5/8"X12"X1/8" XAR80102GLA5.5IN
- D. (1)-Light cluster
- E. (1)-Bulb (Not included)
- F. (3)-Cap Nut
- G.(1)-Backplate W4 1/4" x H7 3/8" x E3/4" XAR80102MKBKP7.33IN

