

CRYSTORAMA

LIGHTING THE WAY FOR SIXTY YEARS

ASSEMBLY INSTRUCTION MODEL #ARC-1917-GA-CL-MWP



All electrical components must be installed by a licensed electrician in accordance with the National Electric Code and the appropriate local electrical codes.



You will need 9 Candelabra Base Bulb 40 Watts Recommended 60 Watts Max. USE LED BULBS FOR EXTENDED USE

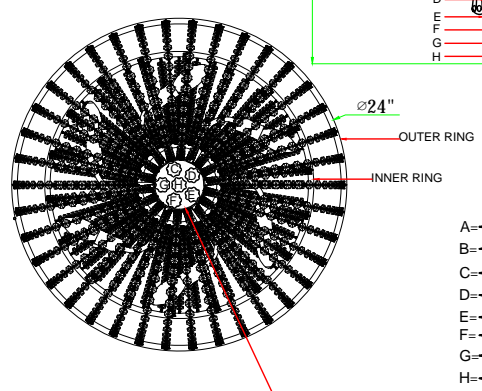
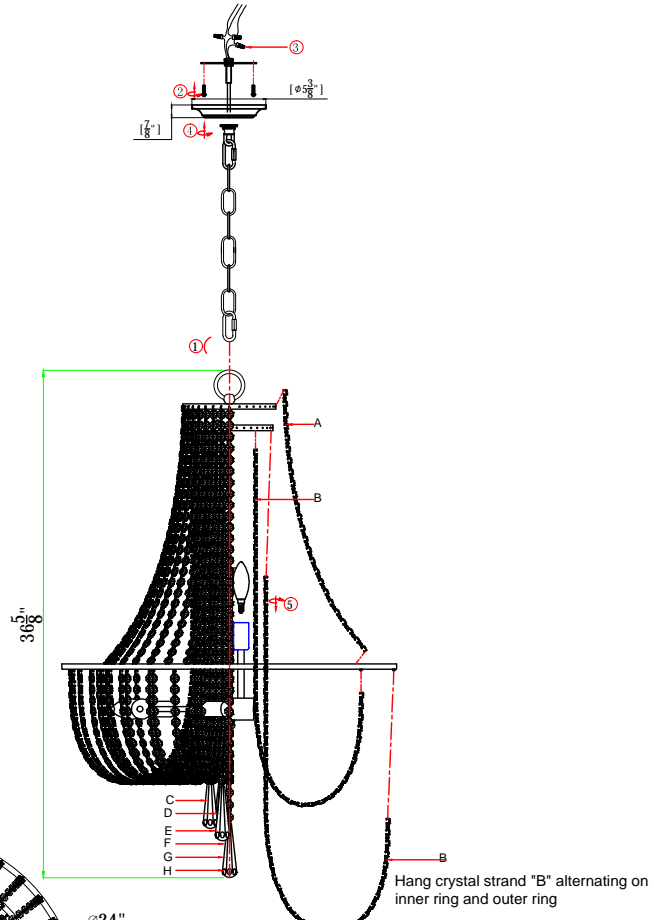
This fixture is Dry rated.

How to Install

1. Do a complete inventory of all parts and components before you start installing.
2. Assemble one end of chain to fixture loop by opening quick link. Fasten mounting hardware to junction box with machine screws. After wires are connected, turn screw collar loop onto nipple, then place canopy up against ceiling and lock by screw collar loop ring.
3. After safely attaching fixture into junction box, install bulbs and proceed to connecting the power.
4. When you begin to dress the fixture, start with package labeled (A).
5. IMPORTANT: Apply crystal sets in alphabetical order.

Crystal Sets

- A. 36sets 26*14mm
- B. 54sets 47*14mm
- C. 1set 2*14mm+1*76mm drop
- D. 1set 3*14mm+1*76mm drop
- E. 1set 4*14mm+1*76mm drop
- F. 1set 5*14mm+1*76mm drop
- G. 1set 6*14mm+1*76mm drop
- H. 1set 7*14mm+1*76mm drop



Reference for how to dress crystal on the bottom distributor box

WARNING: This product can expose you to Lead, which is known to the State of California to cause cancer and/or birth defects or reproductive harm. For more information go to www.P65Warnings.ca.gov

CRYSTORAMA

LIGHTING THE WAY FOR SIXTY YEARS

PART NUMBER MODEL #ARC-1917-GA-CL-MWP

Part Number

Part Numbers

- A. (1)-Mounting Hardware
- B. (1)-Canopy; $\phi 5 \times H1$ "
(XBN1917GACAN5IN)
- C. (1)-Screw Collar Loop Ring
- D. (1)-Screw Collar Loop
- E. (1)-Chain; $\phi 1/5 \times L72$ "
(XBN1917GACHA5MM)
- F. (1)-Fixture Loop; $\phi 2$ "
- G. (1)-Upper Ring; $\phi 6 \ 3/4$ "
- H. (1)-Lower Ring; $\phi 6 \ 1/4$ "
- I. (1)-Center Stem; $L18 \ 1/2$ "
- J. (1)-Bottom Ring; $\phi 24$ "
- K. (1)-Bottom Finial; $H1 \ 1/5$ "
(XBN1917GAFIN)

