

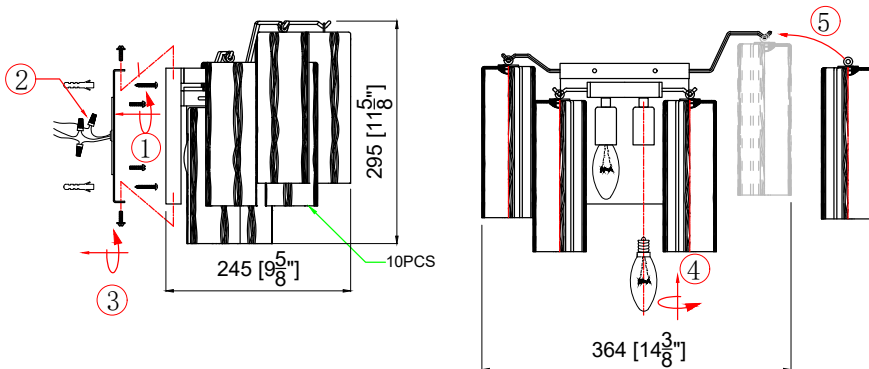
# CRYSTORAMA

LIGHTING THE WAY FOR SIXTY YEARS



Crystorama.com

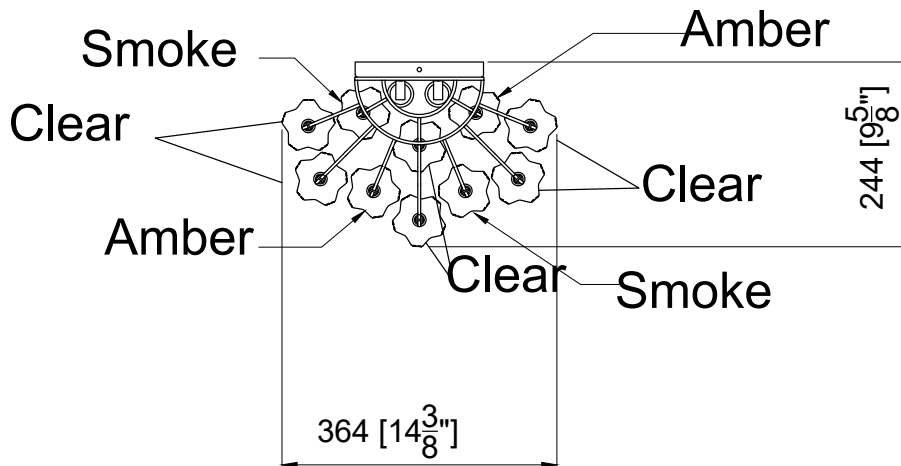
## ASSEMBLY INSTRUCTION MODEL ADD-302-AG-AU



All electrical components must be installed by a licensed electrician in accordance with the National Electric Code and the appropriate local electrical codes.



You will need 2 - Candelabra Base Bulb  
40 Watts Recommended 60 Watts Max.  
USE LED BULBS FOR EXTENDED USE  
This Fixture is Damp Rated



### How to Install

1. Place the mounting plate over the outlet box and mark two points on the wall with same distance as between the two holes on the mounting plate.
2. Drill the holes at the marked points and insert the plastic anchors into the holes. Attach the mounting plate onto the outlet box using the anchor screws.
3. Attach the backplate onto the mounting plate using the screws.
4. Install the bulb into the socket.
5. Dress the glass as illustrated.

### Glass Sets

1. 6pcs Clear glass 2 3/4x7 3/4"
2. 2pcs Amber glass 2 3/4x7 3/4"
3. 2pcs Smoked glass 2 3/4x7 3/4"

**WARNING:** This product can expose you to Lead, which is known to the State of California to cause cancer and/or birth defects or reproductive harm. For more information go to [www.P65Warnings.ca.gov](http://www.P65Warnings.ca.gov)

# CRYSTORAMA

LIGHTING THE WAY FOR SIXTY YEARS



Crystorama.com

**PART NUMBER** MODEL **ADD-302-AG-AU**

## Part Number

### Part Numbers

- A. (1)-Frame
- B. (1)-Backplate W7xH6 3/4xD3/4"  
XBN302AGBKP7IN
- C. (10)-Glass 2 3/4x7 3/4"  
(6) XBN300AGCLGLA7.75IN  
(2) XBN300AGSMGLA7.75IN  
(2) XBN300AGAMGLA7.75IN

