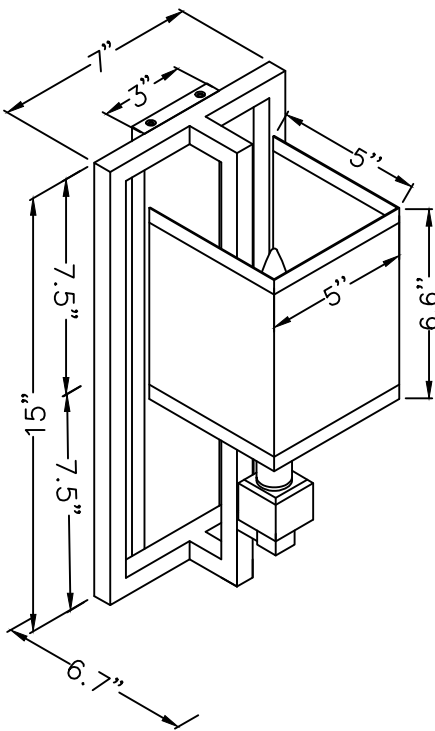



# CRYSTORAMA

95 Cantiague Rock Road, Westbury NY 11590  
 ph:516.931.9090 fax:516.931.1254  
 info@crystorama.com www.crystorama.com

**MODEL# : 8881-PN**  
**ASSEMBLY AND DRESSING INSTRUCTIONS**

**IMPORTANT**  
 TURN OFF THE POWER AT THE  
 MAIN  
 FUSE OR CIRCUIT BREAKER  
 BOX  
 BEFORE STARTING  
 INSTALLATION



  
 You will need 1-Cand. BULB  
 60 watts Max  
 Bulb not included

