

# CRYST RAMA



1958

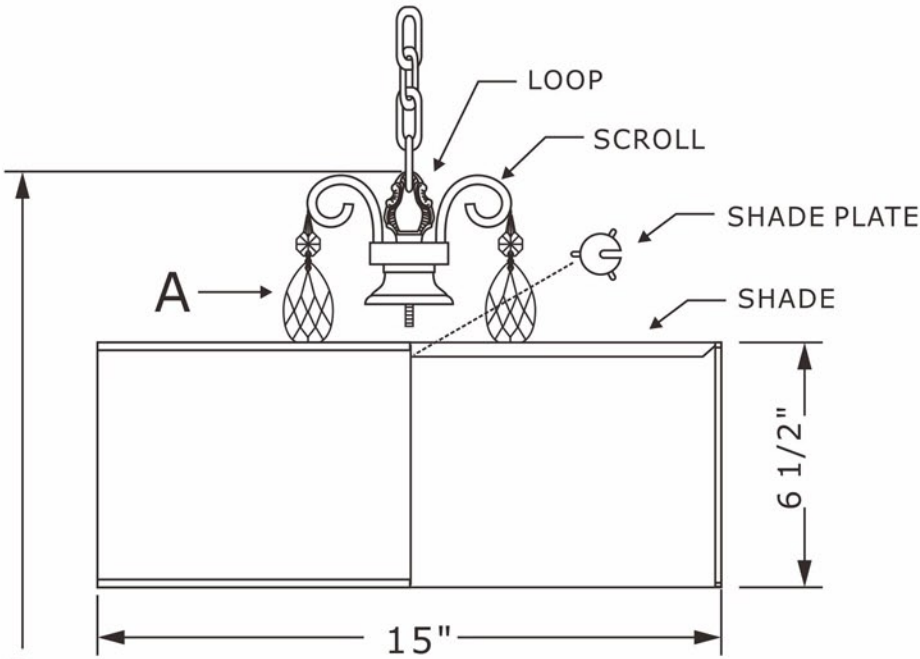
95 Cantiague Rock Road, Westbury NY 11590  
 Ph: 516.931.9090 Fax: 516.931.1254  
[info@crystorama.com](mailto:info@crystorama.com) [www.crystorama.com](http://www.crystorama.com)

**MODEL#: 6623-CH-CL-MWP**  
**ASSEMBLY AND DRESSING INSTRUCTIONS**

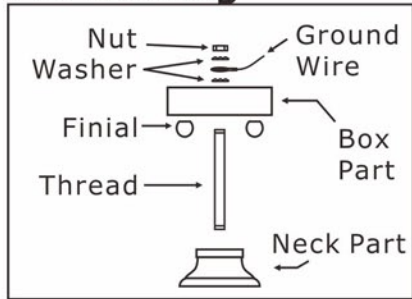
**WARNING:**

Electrical Danger Turn Power Off

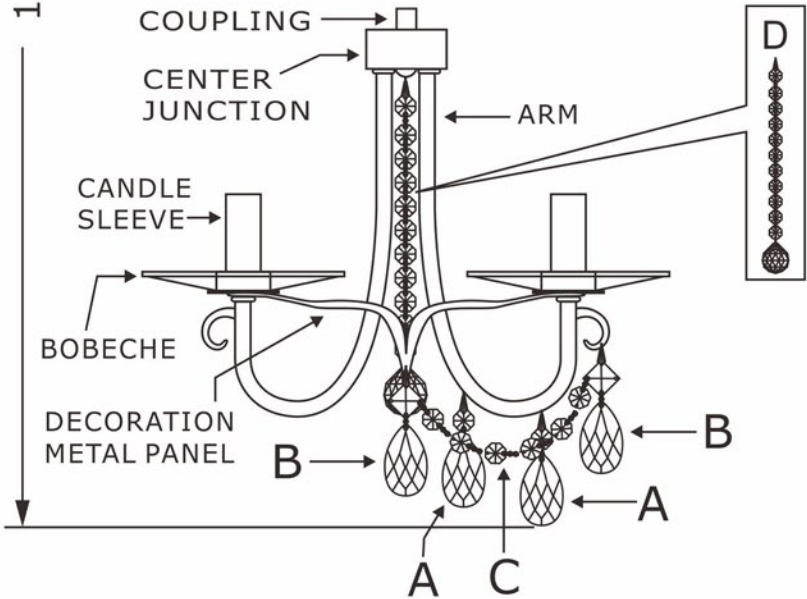
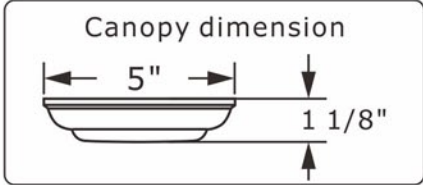
All electrical components must be installed by a licensed electrician in accordance with the National Electric Code and the appropriate local electrical codes.



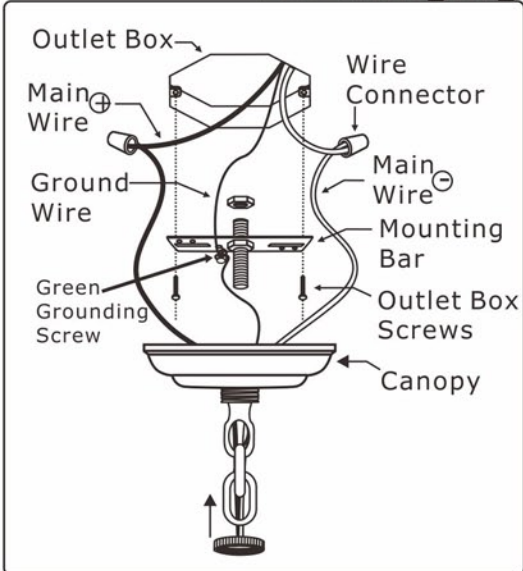
**For Ceiling**



You will need  
 3 Candelabra bulbs.  
 40 Watts Recommended.  
 60 Watts Max.  
 Bulb not included.



**For Hanging**



- A = (14mm+50mm) x 9sets
- B = (Square+50mm) x 6sets
- C = (14mmx6pcs) x 6sets
- D = (14mmx11pcs+30mm Ball) x 1set