

CRYST RAMA



1958

95 Cantiague Rock Road, Westbury NY 11590

ph:516.931.9090 fax: 516. 931.1254

info@crystorama.com www.crystorama.com

MODEL#:5628

ASSEMBLY AND DRESSING INSTRUCTIONS

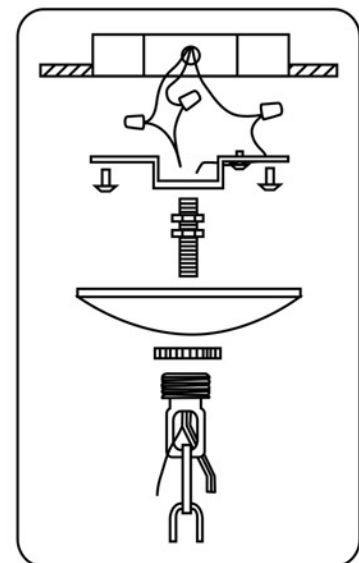
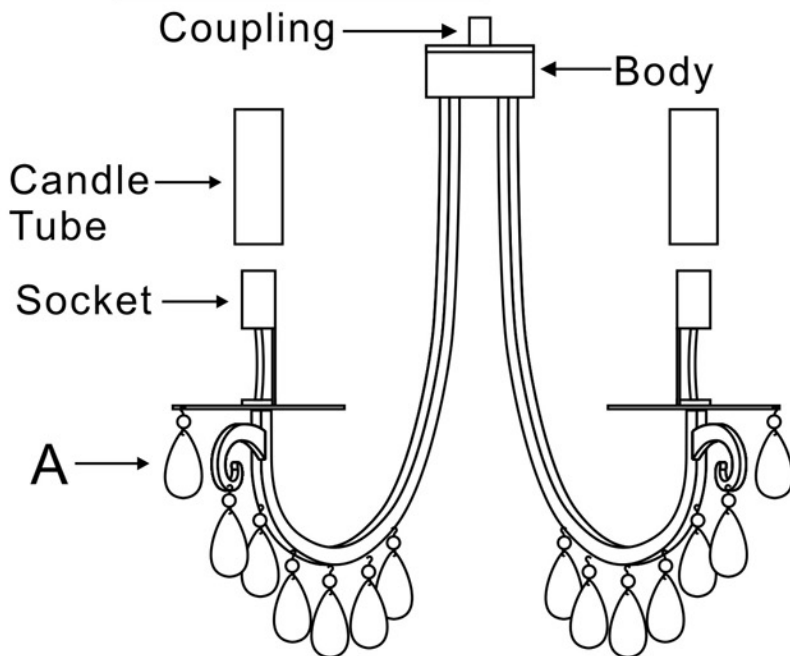
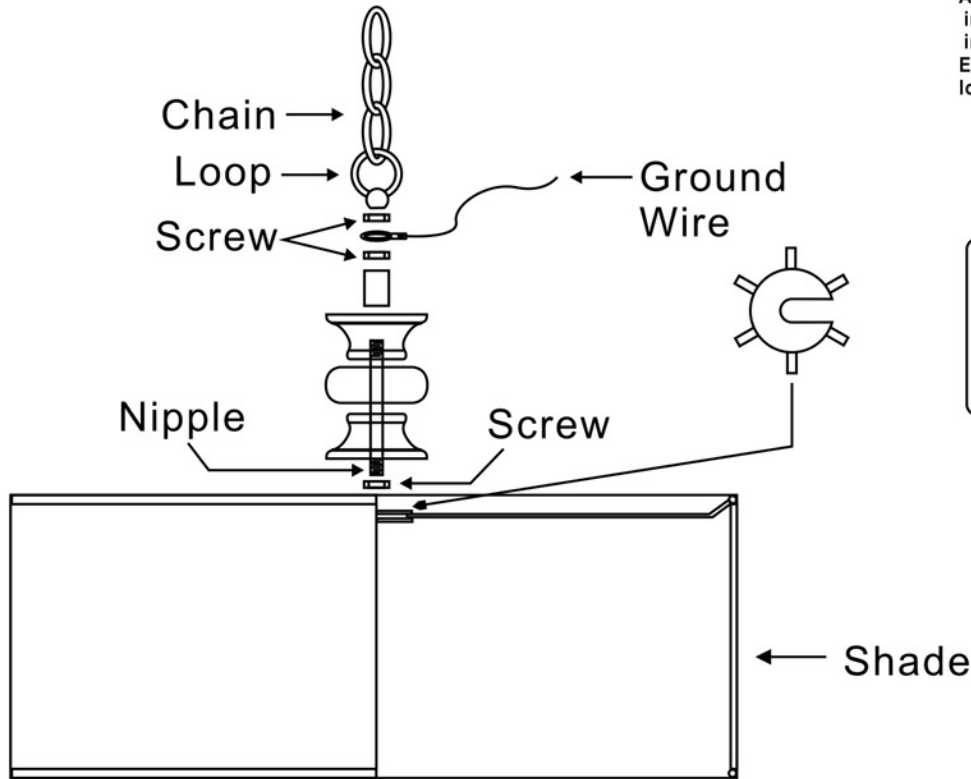
WARNING:

Electrical Danger Turn Power Off

All electrical components must be installed by a licensed electrician in accordance with the National Electric Code and the appropriate local electrical codes.



You will need 8- Cand. Bulb
40 Watts Recommended
60 Watts Max
Bulb not included.



$$A = \text{Crystal Drop} (10\text{mm} + 50\text{mm}) \times 88 \text{ sets}$$