

# CRYST RAMA



1958

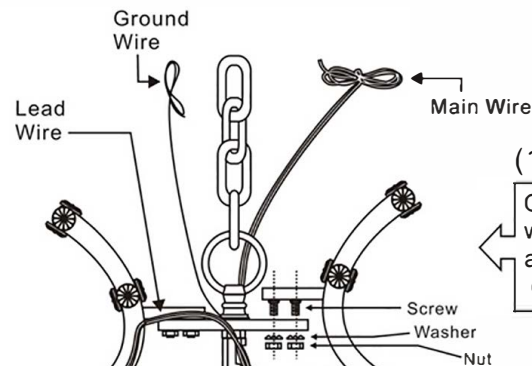
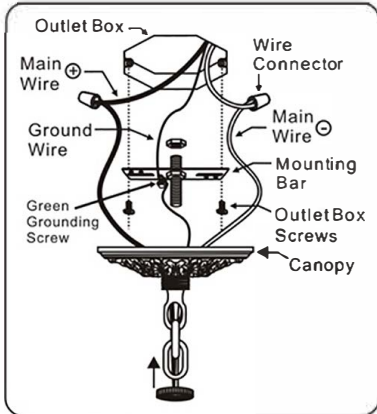
95 Cantiague Rock Road, Westbury NY 11590  
 ph: 516.931.9090 fax: 516.931.1254  
 info@crystorama.com www.crystorama.com



All electrical components must be installed by a licensed electrician in accordance with the National Electric Code and the appropriate local electrical codes.

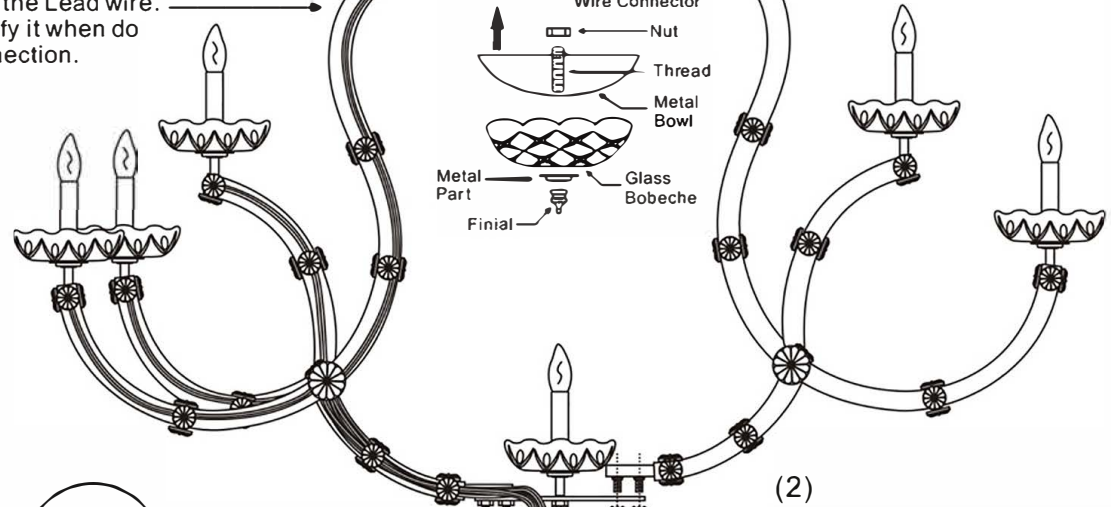


## MODEL#: 4418 ASSEMBLY AND DRESSING INSTRUCTIONS



(1)  
Connect the Main wire with the Lead wire from the arm when the arms are completely assembled.

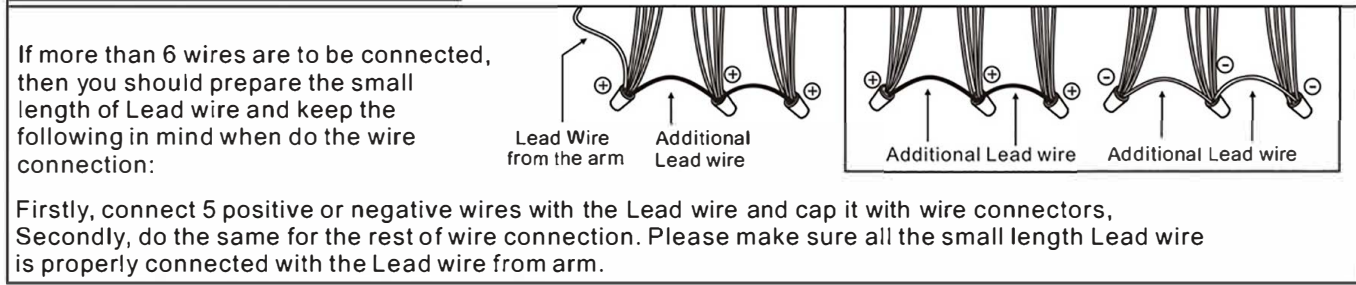
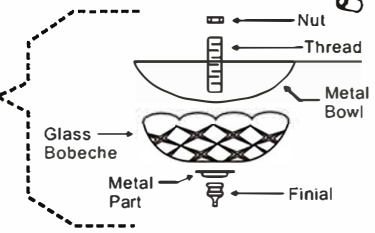
The arm with the Lead wire. Please identify it when do the wire connection.



(2)  
**Please read the Attention before connect the wires.**  
 Connect all the positive wire together (including the lead wire form the arm) (The wire with markings is the positive electrode.)  
 Connect all the negative wire together (including the lead wire form the arm)

(3)  
Install the bottom kits when wires are all correctly connected.

**Attention:**  
One wire connector can connect only 6 wires.



Firstly, connect 5 positive or negative wires with the Lead wire and cap it with wire connectors, Secondly, do the same for the rest of wire connection. Please make sure all the small length Lead wire is properly connected with the Lead wire from arm.

# CRYST RAMA



1998  
95 Cantiague Rock Road, Westbury NY 11590  
ph: 516.931.9090 fax: 516.931.1254  
info@crystorama.com www.crystorama.com

## MODEL#: 4418-MWP ASSEMBLY AND DRESSING INSTRUCTIONS

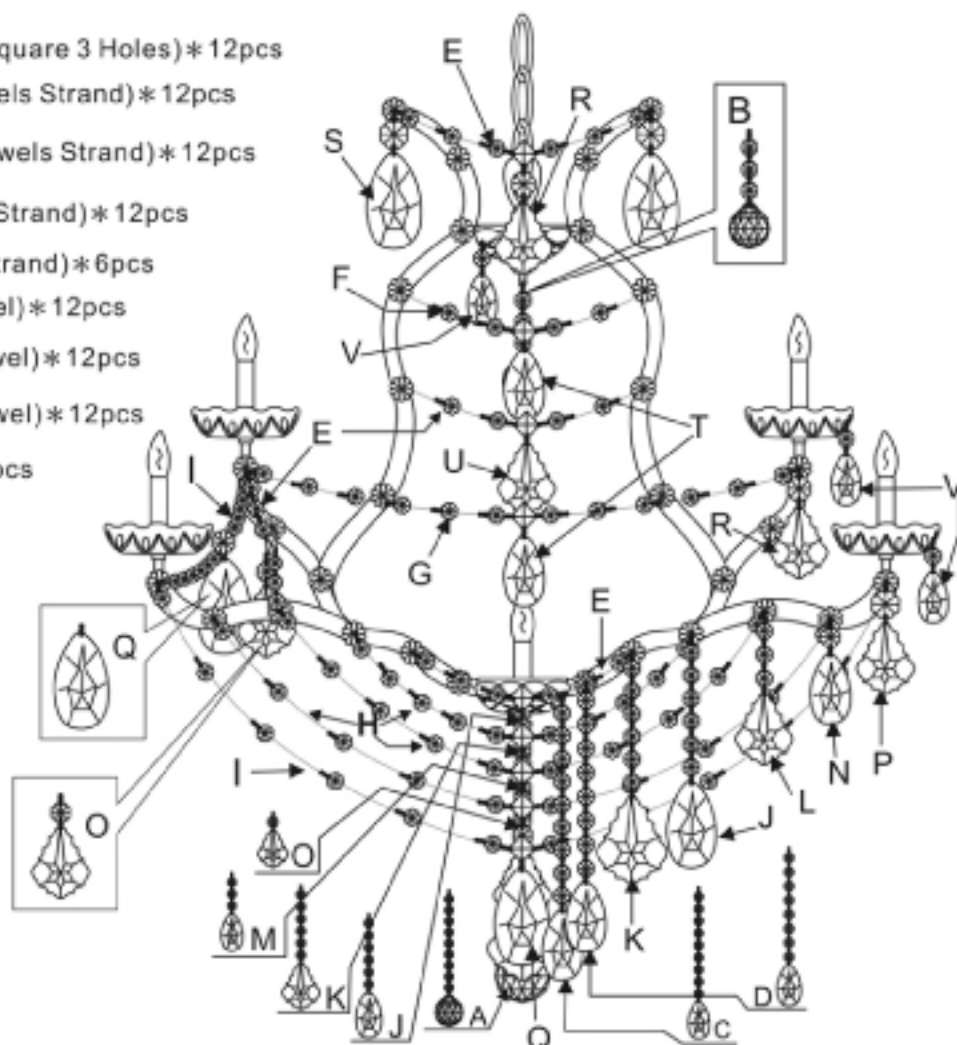


All electrical components must be installed by a licensed electrician in accordance with the National Electric Code and the appropriate local electrical codes.



- A (1x60mm Ball + 9 Jewels) \* 1pc
- B (1x40mm Ball + 3 Jewels) \* 1pc
- C (9/76-3" + 9 Jewels) \* 6pcs
- D (9/76-3" + 8 Jewels) \* 6pcs
- E (6 Jewels Strand + 1x16mm Square 3 Holes) \* 24pcs
- F (4 Jewels Strand + 1x16mm Square 3 Holes) \* 6pcs
- G (12 Jewels Strand + 1x16mm Square 3 Holes) \* 6pcs
- H (10 Jewels Strand + 1x16mm Square 3 Holes) \* 18pcs
- I (12 Jewels Strand + 1x16mm Square 3 Holes) \* 12pcs
- J (9/70-3" + 6 Jewels Strand) \* 12pcs
- K (20/75-3" + 6 Jewels Strand) \* 12pcs
- L (20/75-3" + 3 Jewels Strand) \* 12pcs
- M (9/76-3" + 3 Jewels Strand) \* 6pcs
- N (9/76-3" + 1x18mm Jewel) \* 12pcs
- O (20/75-3" + 1x18mm Jewel) \* 12pcs
- P (20/87-3.5" + 1x28mm Jewel) \* 12pcs
- Q (9/76-3" No Jewel) \* 12pcs

- R (20/75-3" + 1x20mm Jewel) \* 12pcs
- S (9/76-3" + 1x28mm Jewel) \* 6pcs
- T (9/76-3" No Jewel) \* 12pcs
- U (20/75-3" No Jewel) \* 6pcs
- V (9/50-2" ) \* 96pcs



You will need 19 - Cand. Bulb  
25 Watts Recommended  
40 Watts Max  
Bulb not included.