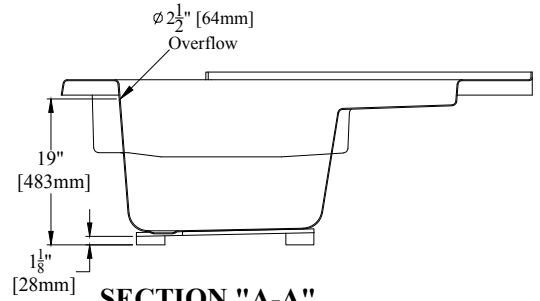
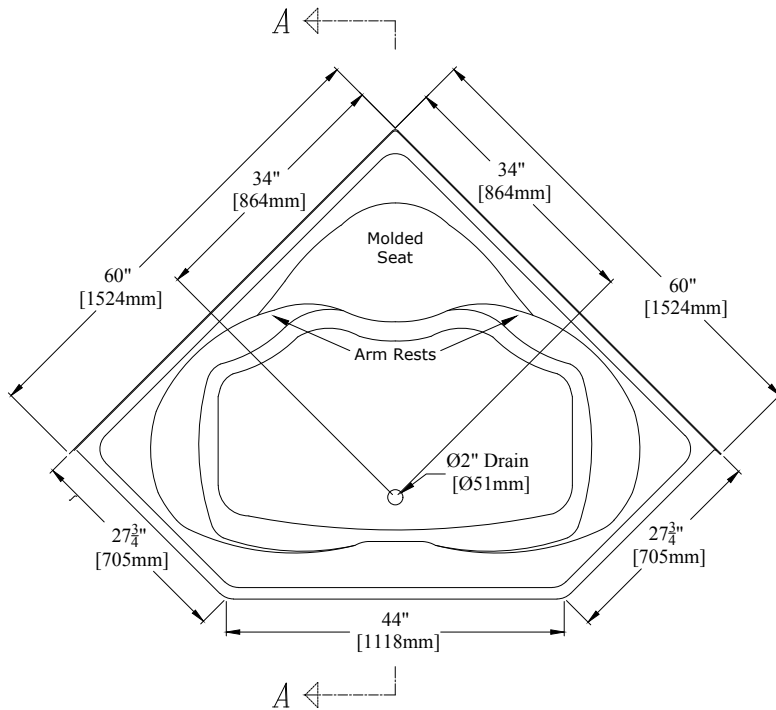


**ELEVATION**



**SECTION "A-A"**



**PLAN**

**60" [1524mm] Bathtub  
w/ Molded Seat & Molded Arm Rests**

**FRONT CENTER DRAIN**

**PRODUCT SPECIFICATIONS:**

- \* Product complies with NAHB, HUD UM-73A, and ANSI-Z124.1.2.
- \* Product has a Class B fire rating as determined by ASTM E-84 test method.
- \* Reinforced & slip resistant floor.
- \* Spacious Bathwell with a molded seat and arm rests.
- \* Integral 1" [25mm] nailing flange.
- \* Factory drilled 2 1/2" [64mm] overflow.
- \* Bathwell Dimensions (At Top): W-63" [1600mm]  
D-28 1/2" [724mm]  
H-19 1/4" [489mm]
- \* Bathwell Dimensions (At Bottom): W-44" [1118mm]  
D-24 3/4" [629mm]
- \* Bathwell Capacity (At Overflow): 85 Gal. [322L]
- \* Water Level (At Overflow): 15 3/4" [400mm]
- \* This unit is available without an overflow (Model 4060FM).
- \* All dimensions +/- 1/2" [12.8mm]
- \* Clarion Bathware reserves the right to change design and/or dimensions.
- \* Dimensions are the same for RE, MP, and all other versions of this model.

**Atlantis**

**4060F**

**60" [1524mm] Corner Drop-In Bathtub w/ Molded Seat, Molded Arm Rests,  
& Font Center Drain**

**Clarion**  
BATHWARE  
44 Amsler Ave.  
Shipperville, PA 16254

Phone: (814) 226-5374  
Toll Free: (800) 576-9228  
Fax: (814) 226-0730  
www.clarionbathware.com

Signatures For Approval:

Customer: \_\_\_\_\_  
Arch./Engr: \_\_\_\_\_  
Contractor: \_\_\_\_\_  
Cla. Engr: \_\_\_\_\_

Date: \_\_\_\_\_

Dwg. #  
4060F-CUT

Dwg. By: NMH  
DATE: 4/4/2017

**\*\*\* IMPORTANT NOTICE \*\*\***

Clarion Bathware reserves the right to change the design and/or dimensions of its products at any time. This drawing may have been updated since this publication was issued. Before placing an order for any product, refer to our website at [www.clarionbathware.com](http://www.clarionbathware.com) to obtain the most current drawings for any products that you wish to purchase. Compare the date of revision of the drawing that you have with the one on the drawing on our website. If you do not have internet access, please call your sales representative or Clarion Bathware's sales department at 1-800-576-9228.