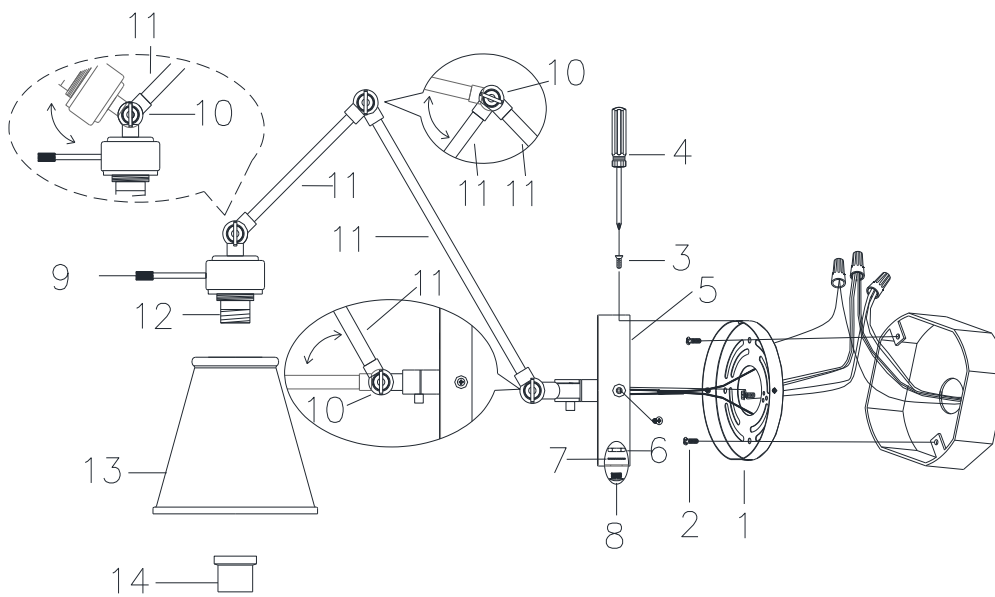


## ASSEMBLY AND INSTALLATION INSTRUCTIONS for the AA1011 Fixture

### Important Safety information (Please read before proceeding)

1. Remove the fixture, parts and all mounting hardware bags (orange) from the carton and verify that all parts are present according to the illustration sheet. All parts must be used as indicated. Do not replace any parts, leave any parts out, or use any parts which are worn out or broken. **Failure to follow the instructions could cause a hazardous situation, voids the warranty and violates the U.L. listing of the fixture.**
2. To prevent the electric shock, turn off the main power at the circuit breaker before installing the fixture. **NEVER attempt to install, clean or replace bulbs without shutting off the electricity to the fixture.**
3. **Never use light bulbs with wattage ratings that exceed the fixtures maximum rating.** Always make sure the electric current is turned off before changing the bulbs.
4. If you experience difficulties installing the lighting fixture or it fails to work as expected, please contact a local qualified licensed electrical contractor.
5. Please contact your local Capital Lighting Fixture reseller with any assembly or installation questions. Your local reseller can also provide you with replacement parts for your new fixture.



### Components

1. Mounting Bracket w/Green Screw
2. Outlet Box Mounting Screws
3. Mounting Screw
4. Philips Screw Driver (not provided)
5. Fixture
6. Hex Nut
7. Lock Washer
8. Décor Plug
9. Turn Switch
10. Swiveling Device
11. Arm
12. Socket
13. Decor Shade
14. Nord Ring

### Assembly Instructions to WALL MOUNT the AA1011 fixture

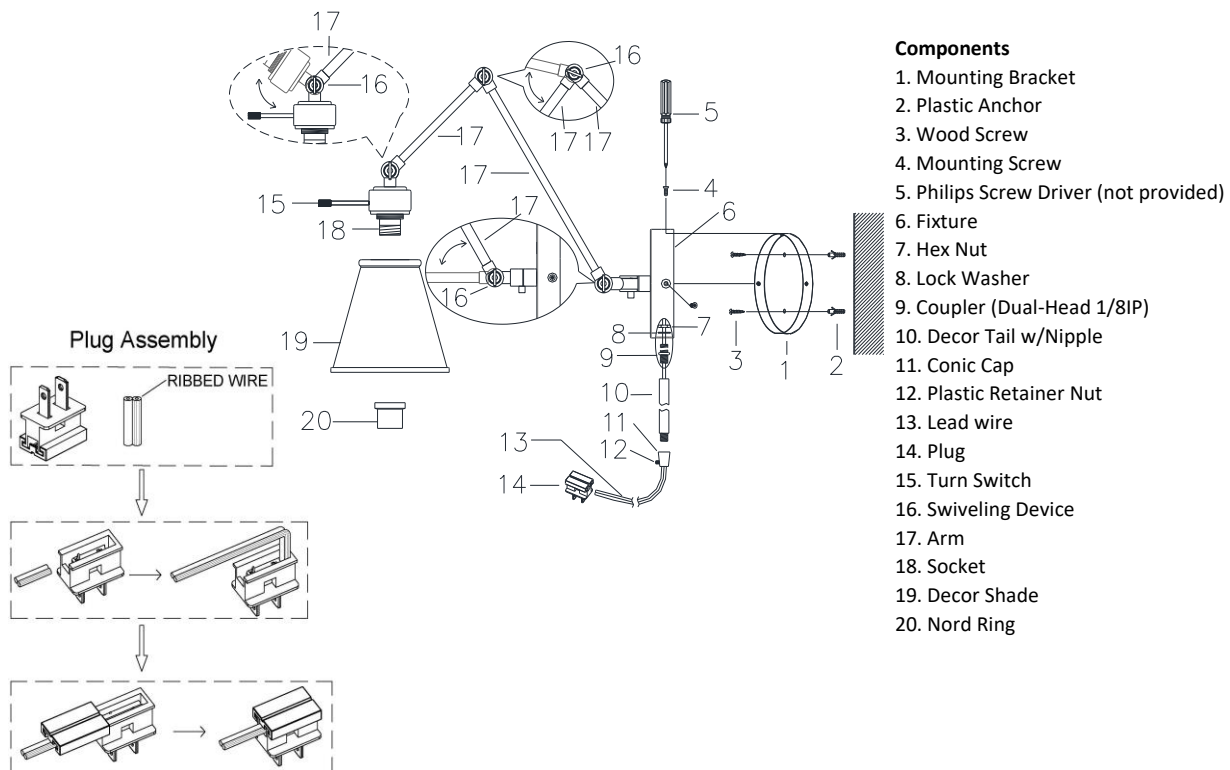
1. Insert Decor Plug (8) onto assembling hole at canopy bottom of Fixture (5), then secure it with Lock Washer (7) and Hex Nut (6).
2. Attach Mounting Bracket (1) to Outlet Box with Outlet Box Mounting Screws (2), make sure the mounting holes in both tabs horizontally.
3. Cut lead wire at 11"~13" length from canopy bottom edge of Fixture (5), then split and strip both insulation ends at 3/8"~1/2" length approximately for both live wire and neutral wire separately. *Note: Both wire cutter and wire stripper not provided.*
4. Raise whole Fixture (5) toward outlet box, then connect fixture ground wire to the outlet box ground wire with wire connector supplied; connect the common wire of the lamp cord to the power supply white wire with wire connector supplied; connect supply wire of the lamp cord to the power supply black wire with wire connector supplied. *Note: This fixture is wired using 2 conductor Lamp cord. The insulation between the two conductors on the lamp cord can be split down the center for better access to the two conductors. The common wire on the lamp cord is identified as the conductor with ribs embossed in the rubber wire insulation.*
5. Push Canopy of Fixture (7) to mounting surface, make sure mounting holes in Canopy of Fixture (7) and Mounting Bracket (1) are in line, verify all wires are securely inside Canopy of Fixture (7) and Mounting Bracket (1), and carefully passing Mounting Screws (5) through holes, then secure Canopy of Fixture (7) to mounting surface with Mounting Screws (5) and Philips Screw Driver (not provided) (6).
6. Raise Decor Shade (13) over Socket (12) onto Shade holder of Fixture (7), then secure it with Socket Ring (14).
7. Adjust Swiveling Device (10) to achieve desirable position (don't over loosen Knob of Swiveling Device). If the teeth are misaligned, please hold the Arms (11) and adjust the swiveling part with adjustable knob slightly until the teeth matching well.
8. Install recommended bulb per wattage label indicated on the Socket. *Note: Max 25W, A15, bulb not included.*

# AUSTIN ALLEN & CO.

## ASSEMBLY AND INSTALLATION INSTRUCTIONS for the **AA1011** Fixture

### Important Safety information (Please read before proceeding)

1. Remove the fixture, parts and all mounting hardware bags (orange) from the carton and verify that all parts are present according to the illustration sheet. All parts must be used as indicated. Do not replace any parts, leave any parts out, or use any parts which are worn out or broken. **Failure to follow the instructions could cause a hazardous situation, voids the warranty and violates the U.L. listing of the fixture.**
2. To prevent the electric shock, turn off the main power at the circuit breaker before installing the fixture. **NEVER attempt to install, clean or replace bulbs without shutting off the electricity to the fixture.**
3. **Never use light bulbs with wattage ratings that exceed the fixtures maximum rating.** Always make sure the electric current is turned off before changing the bulbs.
4. If you experience difficulties installing the lighting fixture or it fails to work as expected, please contact a local qualified licensed electrical contractor.
5. Please contact your local Capital Lighting Fixture reseller with any assembly or installation questions. Your local reseller can also provide you with replacement parts for your new fixture.
6. **This portable lamp has a polarized plug (one blade is wider than the other) as a feature to reduce the risk of electric shock. This plug will fit in a polarized outlet only one way. If the plug does not fit fully in the outlet, reverse the plug. If it still does not fit, contact a qualified electrician. Never use with an extension cord unless plug can be fully inserted. Do not alter the plug.**



### Assembly Instructions to PORTABLE MOUNT the AA1011 fixture with Decor Tail

1. Pass Lead Wire (13) thru Hex Nut (7), Lock Washer (8), assembling hole at canopy bottom of Fixture (6), Coupler (9), Decor Tail w/Nipple (10) and Conic Cap (11) carefully, then secure them together tightly. After that, turn Plastic Retainer Nut (12) of Strain Relief in a clockwise direction tightly so as to set Lead wire (13) well. *Note: The Retainer Nut is Plastic to prevent electrical shock, Do not over tighten).*
2. Determine desired location for Fixture (6). Consideration must be made for length of Lead Wire (13).
3. Find appropriate threaded holes on Mounting Bracket (1), then assemble Mounting Bracket (1) to mounting surface using hardware suitable for material of mounting surface. Mark position of holes on mounting surface before using provided Plastic Anchors (2), drill appropriate holes and assemble as illustrated.
4. Attach Mounting Bracket (1) to mounting surface with Wood Screws (3) tightly.
5. Raise Fixture (6) toward mounting surface, then push canopy of Fixture (6) to mounting surface, make sure mounting holes in canopy of Fixture (6) and Mounting Bracket (1) are in line, carefully passing Mounting Screws (4) thru holes, then secure canopy of Fixture (6) to mounting surface with Mounting Screws (4) and Philips Screw Driver (not provided) (5).
6. Raise Decor Shade (19) over Socket (18) onto Shade holder of Fixture (6), then secure it with Nord Ring (20).
7. Adjust Swiveling Device (16) to achieve desirable position (don't over loosen Knob of Swiveling Device). If the teeth are misaligned, please hold the Arms (17) and adjust the swiveling part with adjustable knob slightly until the teeth matching well.
8. Install recommended bulb per wattage label indicated on the Socket. *Note: Max 25W, A15, bulb not included.*

### PLUG (14) ASSEMBLY

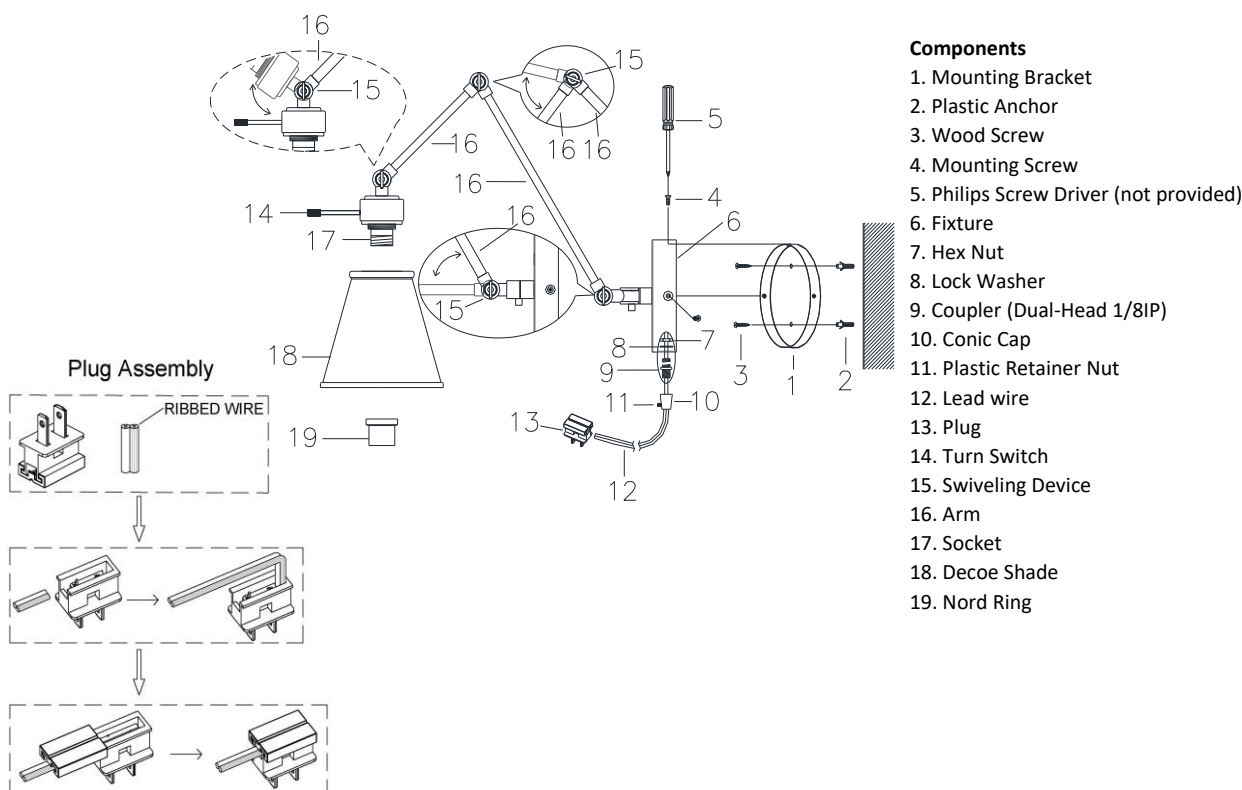
1. This is a polarized connector. One blade is wider. This blade must be connected to the ribbed side of the wire.
2. **CAUTION:** Cut wire end flush. Separate wire 1/4" (DO NOT STRIP WIRE).
3. Remove cap. Hold connector in position as shown. Hold wire with ribbed side at top.
4. Bend end of wire and push into bottom groove.
5. Push wire down with thumb and slide cap completely into place.

# AUSTIN ALLEN & CO.

## ASSEMBLY AND INSTALLATION INSTRUCTIONS for the **AA1011** Fixture

### Important Safety information (Please read before proceeding)

1. Remove the fixture, parts and all mounting hardware bags (orange) from the carton and verify that all parts are present according to the illustration sheet. All parts must be used as indicated. Do not replace any parts, leave any parts out, or use any parts which are worn out or broken. **Failure to follow the instructions could cause a hazardous situation, voids the warranty and violates the U.L. listing of the fixture.**
2. To prevent the electric shock, turn off the main power at the circuit breaker before installing the fixture. **NEVER attempt to install, clean or replace bulbs without shutting off the electricity to the fixture.**
3. **Never use light bulbs with wattage ratings that exceed the fixtures maximum rating.** Always make sure the electric current is turned off before changing the bulbs.
4. If you experience difficulties installing the lighting fixture or it fails to work as expected, please contact a local qualified licensed electrical contractor.
5. Please contact your local Capital Lighting Fixture reseller with any assembly or installation questions. Your local reseller can also provide you with replacement parts for your new fixture.
6. **This portable lamp has a polarized plug (one blade is wider than the other) as a feature to reduce the risk of electric shock. This plug will fit in a polarized outlet only one way. If the plug does not fit fully in the outlet, reverse the plug. If it still does not fit, contact a qualified electrician. Never use with an extension cord unless plug can be fully inserted. Do not alter the plug.**



### Components

1. Mounting Bracket
2. Plastic Anchor
3. Wood Screw
4. Mounting Screw
5. Philips Screw Driver (not provided)
6. Fixture
7. Hex Nut
8. Lock Washer
9. Coupler (Dual-Head 1/8IP)
10. Conic Cap
11. Plastic Retainer Nut
12. Lead wire
13. Plug
14. Turn Switch
15. Swiveling Device
16. Arm
17. Socket
18. Decoe Shade
19. Nord Ring

### Assembly Instructions to PORTABLE MOUNT the AA1011 fixture without Decor Tail

1. Pass Lead Wire (12) thru Hex Nut (7), Lock Washer (8), assembling hole at canopy bottom of Fixture (6), Coupler (9) and Conic Cap (10) carefully, then secure them together tightly. After that, turn Plastic Retainer Nut (11) of Strain Relief in a clockwise direction tightly so as to set Lead wire (12) well. *Note: The Retainer Nut is Plastic to prevent electrical shock, Do not over tighten.*
2. Determine desired location for Fixture (6). Consideration must be made for length of Lead Wire (12).
3. Find appropriate threaded holes on Mounting Bracket (1), then assemble Mounting Bracket (1) to mounting surface using hardware suitable for material of mounting surface. Mark position of holes on mounting surface before using provided Plastic Anchors (2), drill appropriate holes and assemble as illustrated.
4. Attach Mounting Bracket (1) to mounting surface with Wood Screws (3) tightly.
5. Raise Fixture (6) toward mounting surface, then push canopy of Fixture (6) to mounting surface, make sure mounting holes in canopy of Fixture (6) and Mounting Bracket (1) are in line, carefully passing Mounting Screws (4) thru holes, then secure canopy of Fixture (6) to mounting surface with Mounting Screws (4) and Philips Screw Driver (not provided) (5).
6. Raise Decor Shade (18) over Socket (17) onto Shade holder of Fixture (6), then secure it with Nord Ring (19).
7. Adjust Swiveling Device (15) to achieve desirable position (don't over loosen Knob of Swiveling Device). If the teeth are misaligned, please hold the Arms (16) and adjust the swiveling part with adjustable knob slightly until the teeth matching well.
8. Install recommended bulb per wattage label indicated on the Socket. *Note: Max 25W, A15, bulb not included.*

### PLUG (13) ASSEMBLY

1. This is a polarized connector. One blade is wider. This blade must be connected to the ribbed side of the wire.
2. **CAUTION:** Cut wire end flush. Separate wire 1/4" (DO NOT STRIP WIRE).
3. Remove cap. Hold connector in position as shown. Hold wire with ribbed side at top.
4. Bend end of wire and push into bottom groove.
5. Push wire down with thumb and slide cap completely into place.