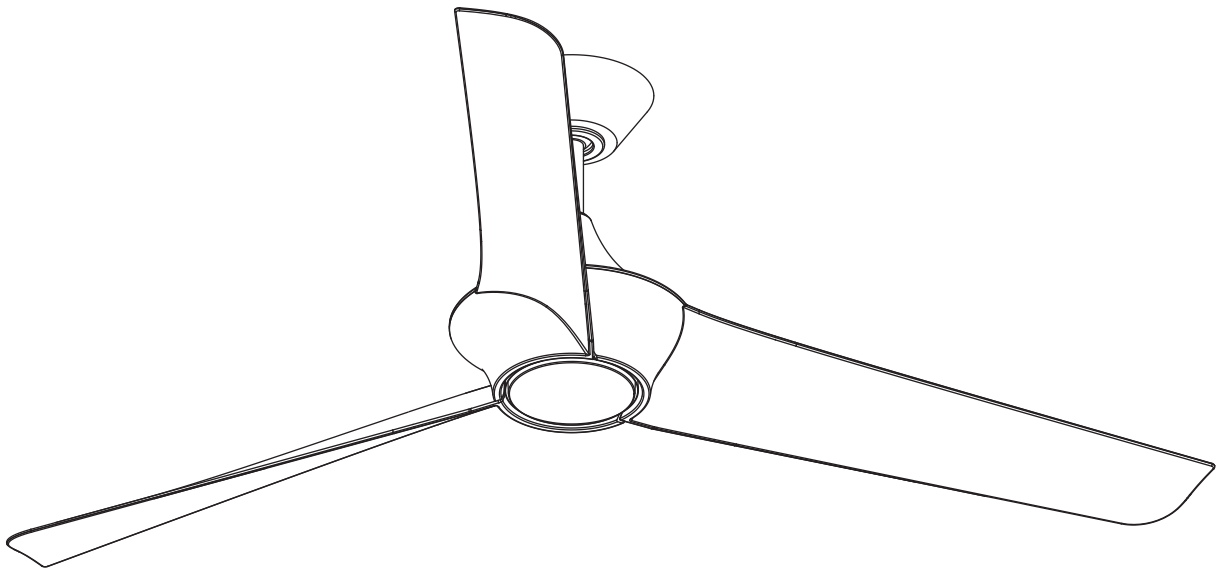


# alora mood

## EMIKO CEILING FAN INSTRUCTION SHEET



MODEL: CF523056

P. 1.855.855.8926 | E. [technicalsupport@aloralighting.com](mailto:technicalsupport@aloralighting.com)

CANADA: 19054 28th Ave., - Surrey, BC V3Z 6M3

USA: 3035 E. Lone Mountain Rd. - Las Vegas, NV 89081

[www.aloramood.com](http://www.aloramood.com)

20230505

# SAFETY RULES

---

1. To reduce the risk of electric shock, ensure electricity has been turned off at the circuit breaker or fuse box before beginning.
2. All wiring must be in accordance with the National Electrical Code and local electrical codes. Electrical installation should be performed by a qualified licensed electrician.
3. **CAUTION:** Read all instructions and safety information before installing your new fan. Review accompanying assembly diagrams.
4. **WARNING:** To reduce the risk of electrical shock and fire, do not use this fan with any solid-state fan speed control device.
5. **WARNING:** To reduce the risk of fire, electric shock, or personal injury, mount to UL Listed outlet box marked "acceptable for fan support of 15.9 kg (35 lbs.) or less" and use mounting screws provided with the outlet box. Most outlet boxes commonly used for the support of light fixtures are not acceptable for fan support and may need to be replaced. Due to the complexity of the installation of this fan, a qualified licensed electrician is strongly recommended.
6. The outlet box and support structure must be securely mounted and capable of reliably supporting a minimum of 50 pounds.
7. The fan must be mounted with a minimum of 7 feet clearance from the trailing edge of the blades to the floor. The tip of the fan blade to the nearest wall/obstruction: 30 inches
8. Avoid placing objects in the path of the blades.
9. To avoid personal injury or damage to the fan and other items, be cautious when working around or cleaning the fan.
10. Do not use water or detergents when cleaning the fan or fan blades. A dry dust cloth or lightly dampened cloth will be suitable for most cleaning.
11. After making electrical connections, spliced conductors should be turned upward and pushed carefully up into outlet box. The wires should be spread apart with the grounded conductor and the equipment- grounding conductor on one side of the outlet box.
12. Electrical diagrams are for reference only. Light kits that are not packed with the fan must be UL and cUL Listed and marked suitable for use with the model fan you are installing. Switches must be UL and cUL General Use Switches. Refer to the Instructions packaged with the light kits and switches for proper assembly.

**AVERTISSEMENT:** Pour réduire les risques d'incendie, de choc électrique ou de blessure, posez le ventilateur seulement sur une boîte de sortie électrique ou tout autre support portant une mention selon laquelle elle peut supporter un ventilateur de 35 lb (15,9 kg) ou moins, utilisez les vis de montage accompagnant la boîte de sortie électrique. La plupart des boîtes de sortie électriques généralement utilisées pour la pose d'un appareil d'éclairage ne conviennent pas à la suspension d'un ventilateur et peuvent nécessiter un remplacement. En cas de doute, adressez-vous à un électricien qualifié.

**WARNING:** TO REDUCE THE RISK OF ELECTRIC SHOCK, THIS FAN MUST BE INSTALLED WITH AN ISOLATING WALL CONTROL/SWITCH.

**WARNING:** TO REDUCE THE RISK OF PERSONAL INJURY, DO NOT BEND THE BLADE ARMS (ALSO REFERRED TO AS FLANGES), WHEN INSTALLING THE BRACKETS, BALANCING THE BLADES OR CLEANING THE FAN.

---

READ AND SAVE THESE INSTRUCTIONS

# CONTENTS

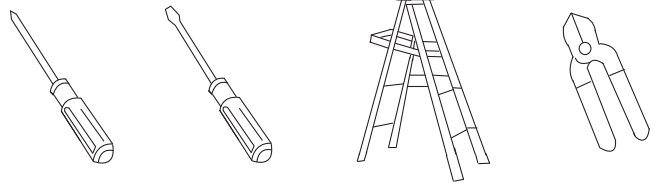
---

- Safety
- Tools Needed
- Package Contents
- Hardware Included
- Fan Assembly
- Electrical Connections
- Fan Blade Installation
- Light Kit Installation
- Fan Operation
- Care and Cleaning
- Troubleshooting
- Warranty Information

## TOOLS NEEDED

---

- Philips screw driver
- Flat screw driver
- Step Ladder
- Wire Cutter



## HARDWARE INCLUDED

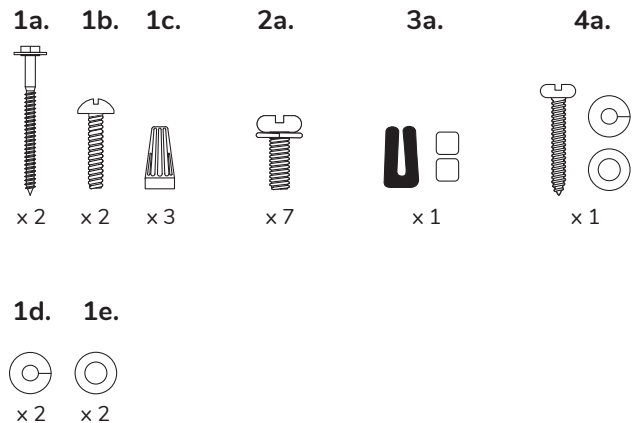
---

- Bracket Mounting Hardware
  - wood screws **(1a)**
  - screws **(1b)**
  - wire nuts **(1c)**
  - lock washers **(1d)**
  - flat washers **(1e)**

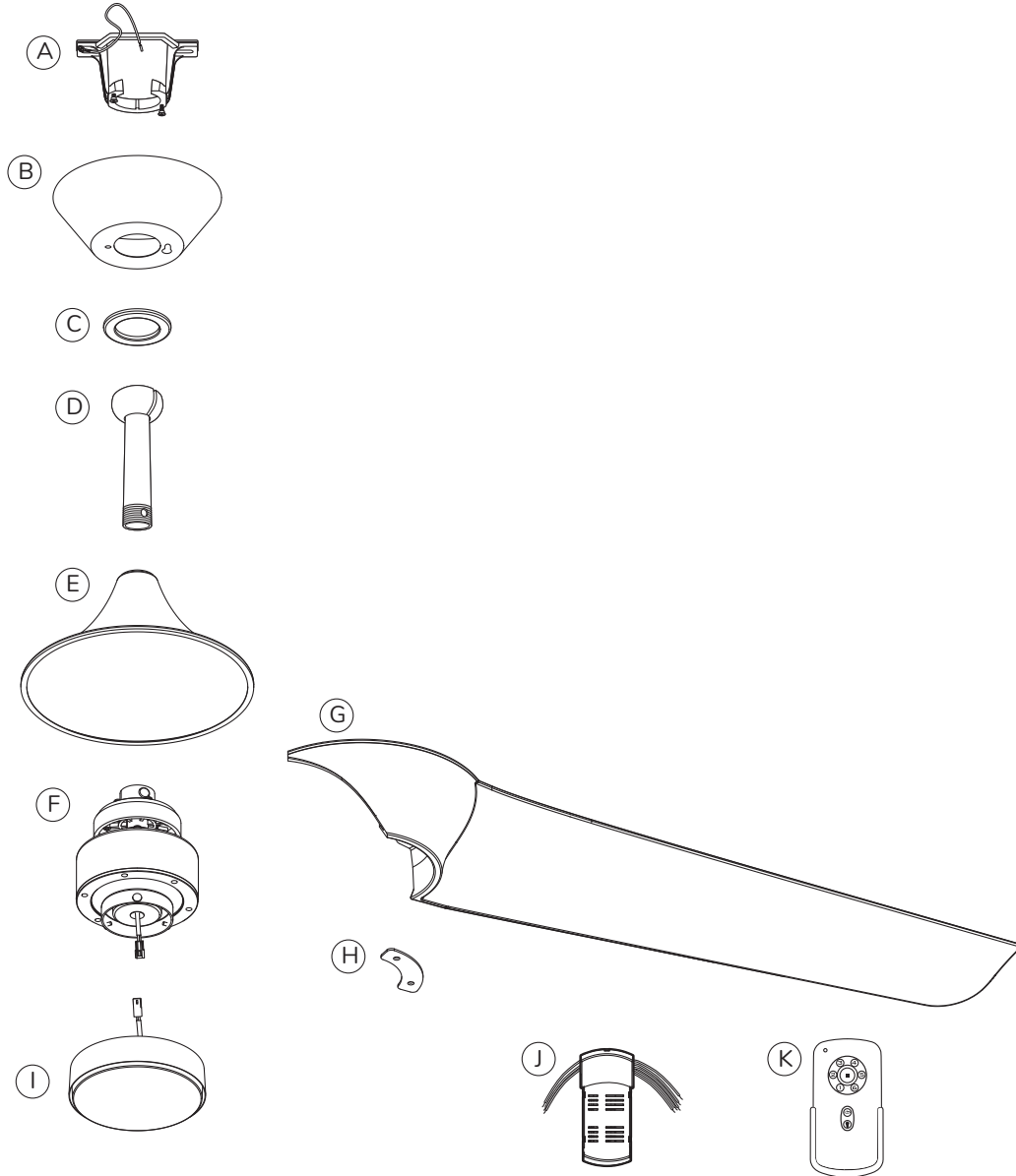
- Blade to Motor Screws and Lock Washers **(2a)**

- Balance Kit **(3a)**

- Safety Cable Hardware
  - wood screw, flat washer **(4a)**



# PACKAGE CONTENTS



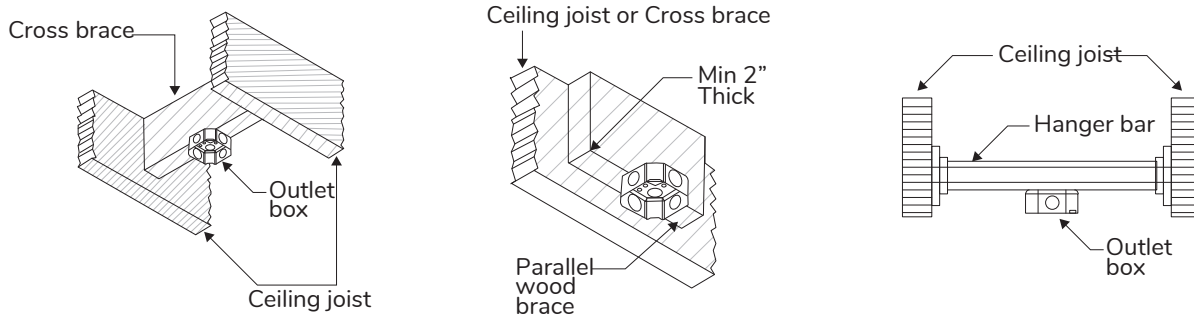
PART	DESCRIPTION	QTY
A	Mounting Bracket	1
B	Canopy	1
C	Canopy Screw Cover	1
D	Hanger Ball/Downrod Assembly	1
E	Coupling Cover	1
F	Fan Motor	1
G	Blade	3
H	Blade Support Plate	3
I	LED Light kit Assembly	1
J	Receiver	1
K	Remote Control	1

# PREPARING THE MOUNTING HARDWARE

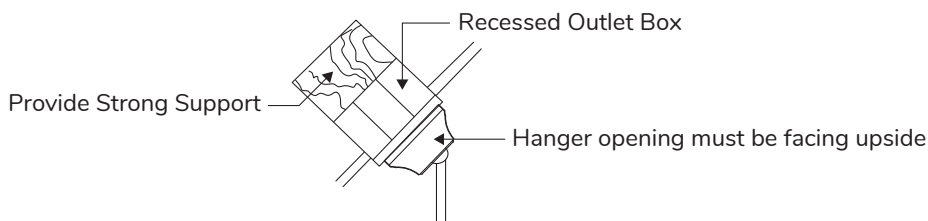
## Outlet Box Mounting Options

If there isn't an existing UL Listed octagonal mounting box marked "Acceptable for Fan Support" follow the instructions below. (**REMINDER:** an electrical junction box for use with luminaires is not acceptable for this application)

- Before you begin installing the mounting box, shut off the power at the circuit breaker of the fuse box.
- Secure the box directly to the building structure. The figures below show 3 example methods.



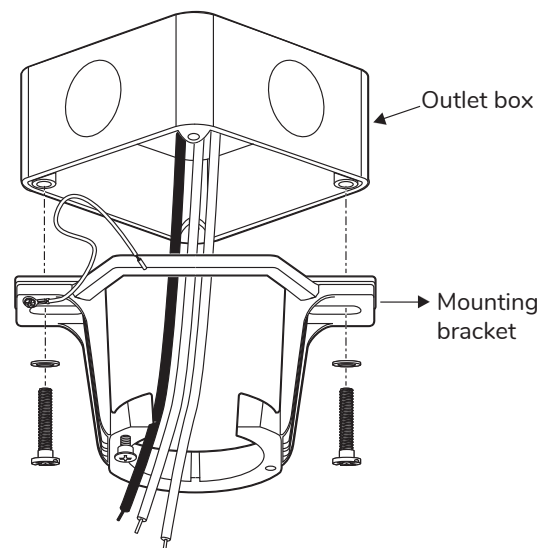
- For Sloped Ceiling Installation  
Angled Ceiling Maximum 25° Angle



## INSTALLING THE HANGING BRACKET

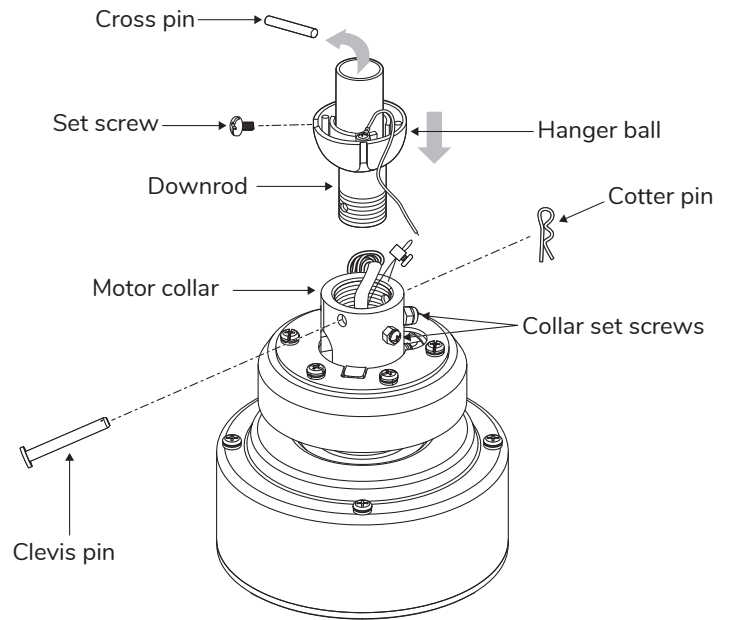
**CAUTION:** To avoid possible electrical shock, be sure electricity is turned off at the main power box before wiring. All wiring must be in accordance with National and Local Electrical Codes and the ceiling fan must be grounded as a precaution against possible electric shock.

1. Locate ceiling joist where fan is to be mounted, being sure location agrees with the requirements in the minimum clearance section of this guide. Wood joists must be sound and of adequate size to support 35 lbs.
2. If not already present, mount a UL listed outlet box marked "suitable for fan support" following the instructions provided with the outlet box. The outlet box must be able to support a minimum of 35 lbs.
3. Attach hanging bracket to outlet box using screws provided with the outlet box.



## PREPARING THE MOTOR

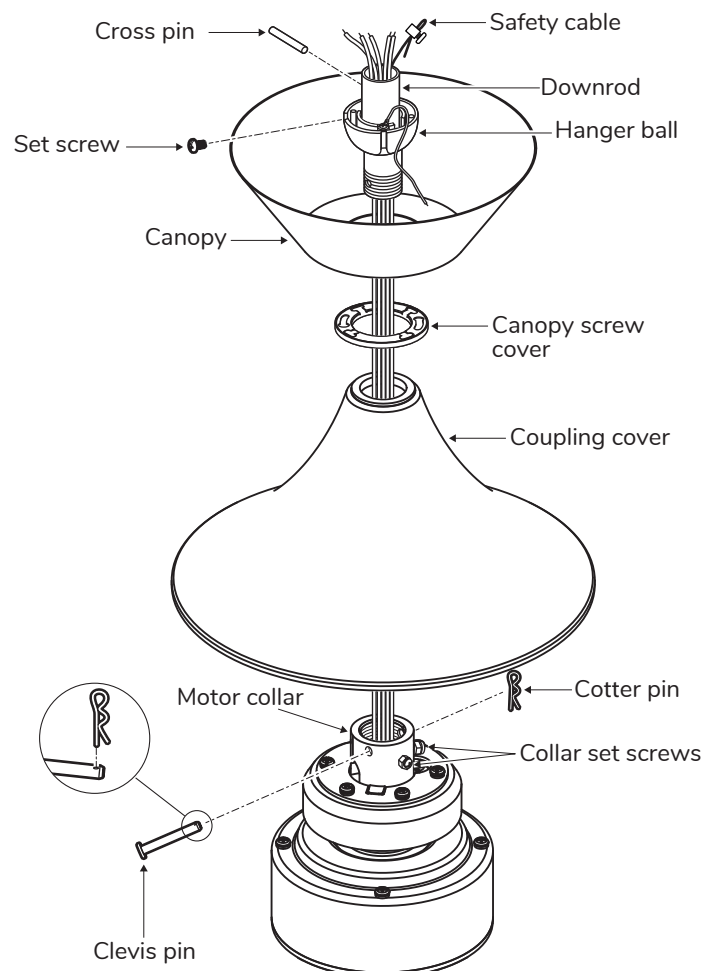
1. Remove the cotter pin and clevis pin, and loosen the two collar set screws from the motor collar.
2. Take out the set screw located in the hanger ball, lower the hanger ball and remove the cross pin. Remove the hanger ball from the hanger ball/downrod assembly.



## ASSEMBLING THE FAN

**WARNING:** Failure to properly install the cotter pin could result in the fan loosening and possibly falling.

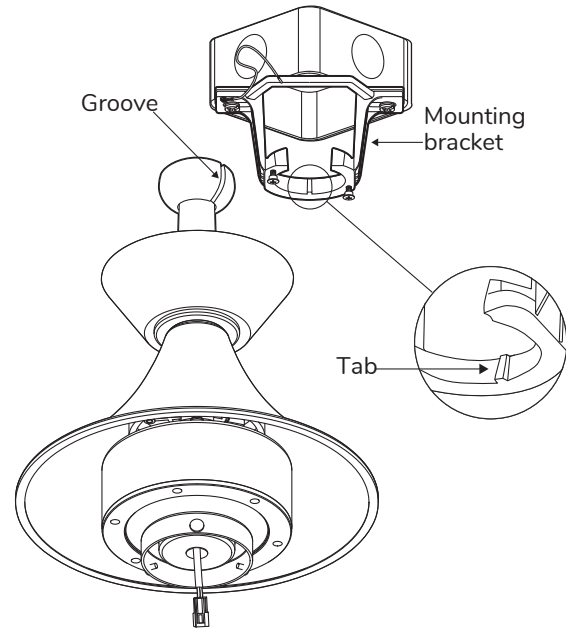
1. Carefully feed the motor wires and safety cable up through the downrod. Thread the downrod into the collar.
2. Align the holes and replace the clevis pin and cotter pin. Tighten the two collar set screws.
3. Slip the coupling cover, the canopy screw cover, and the canopy onto the downrod.
4. Carefully reinstall the hanger ball onto the downrod. Being sure that the cross pin is in the correct position, the set screw is tightened and wires are not twisted.



# HANGING THE FAN

**WARNING:** The tab in the ring must rest in the groove of the hanger ball/downrod assembly. Failure to properly seat the tab in the groove could cause damage to the wiring.

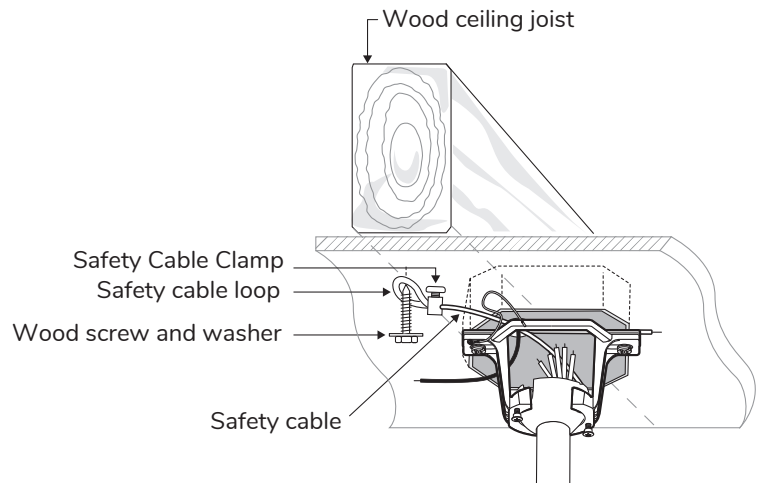
1. Carefully lift the fan motor assembly up to the mounting bracket and seat the hanger ball/downrod assembly in the mounting bracket socket. Make sure the tab on the mounting bracket socket is properly seated in the groove in the hanger ball/downrod assembly. This will help to balance the ceiling fan.



# INSTALLATION OF SAFETY CABLE SUPPORT

1. Attach the wood screw and the flat washer to the ceiling joist as shown (do not fully tighten). Slide the cable clamp onto the safety cable from the fan. Loop the safety cable around the wood screw that was just attached to ceiling joist. Feed the end of the cable into the clamp and pull as much cable through as possible. Firmly tighten screw in the clamp. Cut off excess cable.

You are now ready to make the electrical connections.



# ELECTRICAL CONNECTIONS

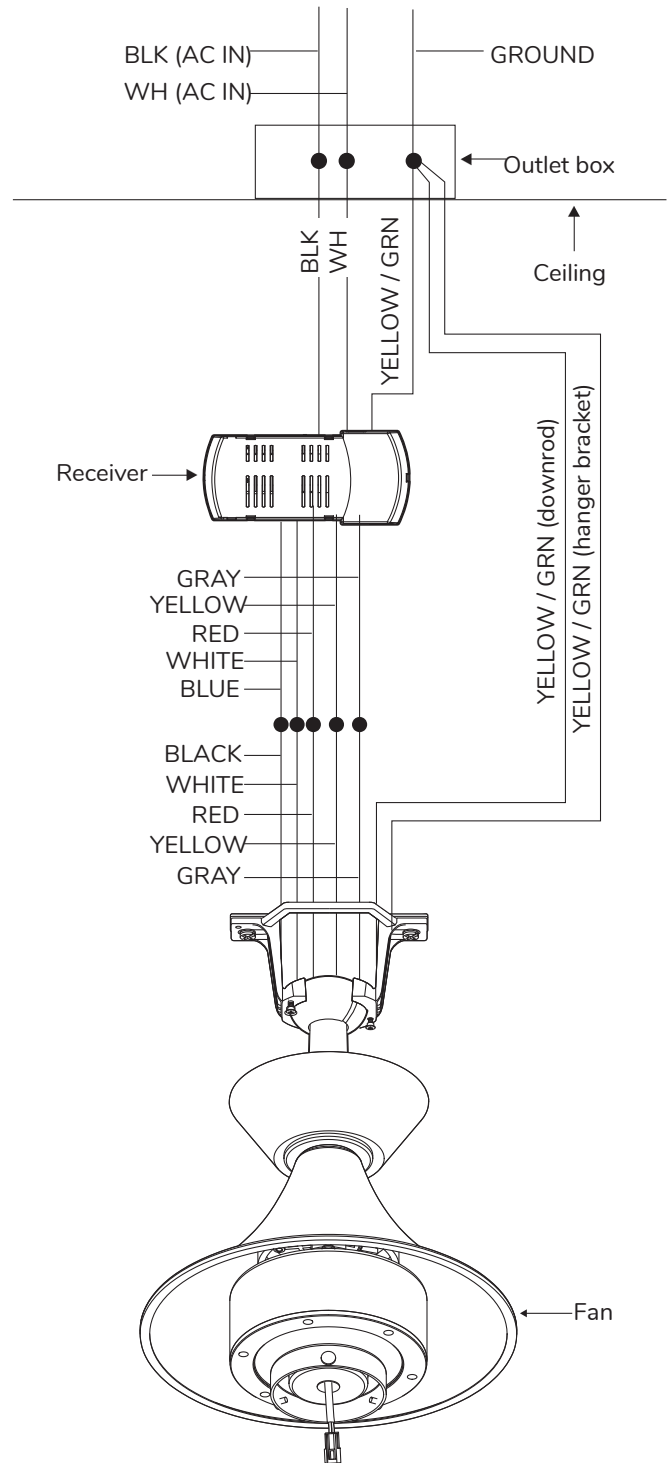
**WARNING:** To avoid possible electrical shock, be sure electricity is turned off at the main fuse box before installation.

**NOTE:** Control must be installed within 30 feet of fan.

**WARNING:** Check to see that all connections are tight, including ground, and that no bare wire is visible at the wire nuts, except for the ground wire.

**CAUTION:** To reduce the risk of electric shock, this fan must be installed with an isolating, general-use wall control/switch.

1. Insert the receiver into the ceiling fan canopy with the flat side of the receiver facing the ceiling.
2. Make wire connections from the fan to the receiver unit. For this step use the bundle of 5 wires on the receiver
  - Connect the YELLOW fan wire to the YELLOW receiver wire.
  - Connect the GRAY fan wire to the GRAY receiver wire.
  - Connect the RED fan neutral wire to the RED receiver neutral wire.
  - Connect the WHITE fan neutral wire to the WHITE receiver neutral wire.
  - Connect the BLACK fan neutral wire to the BLUE receiver neutral wire.
3. Connect the wiring from the ceiling to the receiver unit. (Use the 2 wire bundle on the receiver.) Secure with supplied wire nuts.
  - Connect the BLACK building supply wire to the BLACK receiver wire.
  - Connect the WHITE receiver neutral wire to the WHITE building neutral wire.
  - Connect the COPPER building ground wire to the 3 YELLOW/GREEN ground wires from the fan and receiver.

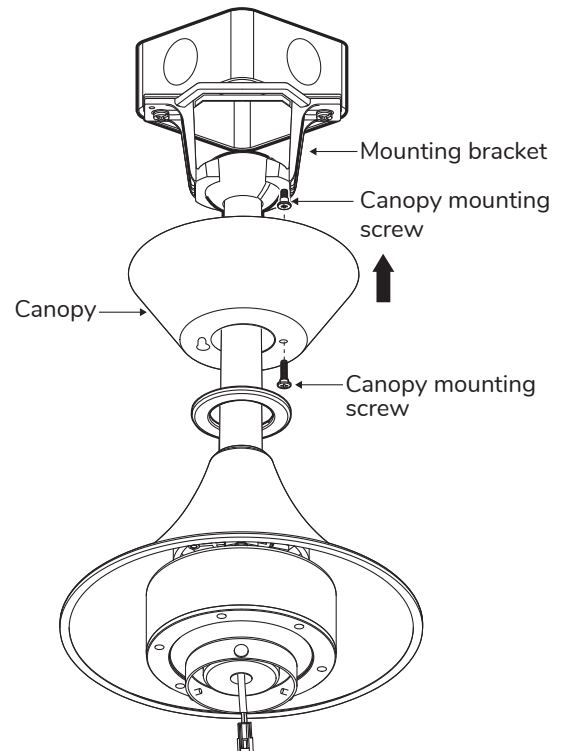




## INSTALLING THE CANOPY

**WARNING:** Make sure the tab on the mounting bracket properly sits in the groove in the hanger ball/downrod assembly before attaching the canopy to the mounting bracket by turning the canopy until it drops into place.

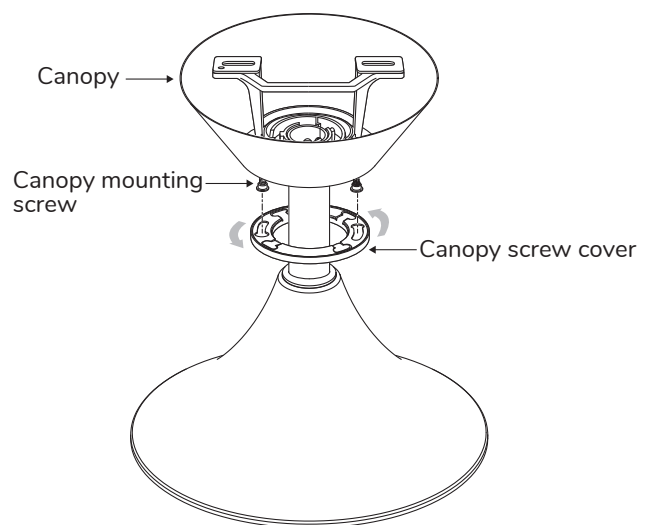
1. Make sure connections are neatly tucked into the ceiling outlet box.
2. Slide the canopy up to the mounting bracket and place the key hole on the canopy over the loose canopy mounting screw on the mounting bracket. Turn the canopy clockwise until the canopy locks in place at the narrow section of the key holes.
3. Align the circular hole on the canopy with the remaining hole on the mounting bracket. Secure by tightening two canopy mounting screws.



## INSTALLING THE CANOPY SCREW COVER

**NOTE:** Adjust the canopy mounting screws as necessary until the canopy and canopy screw cover are snug.

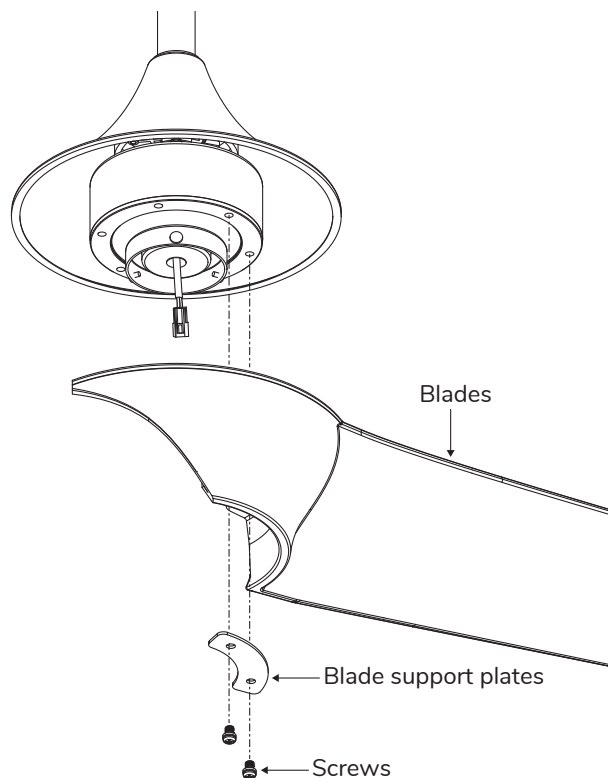
1. Attach the canopy screw cover to the canopy by inserting the screw heads into the key slots in the canopy screw cover and rotating it clockwise.



## INSTALLATION OF THE BLADES

**WARNING:** To reduce the risk of personal injury, do not bend the blades while installing, balancing the blades, or cleaning the fan.

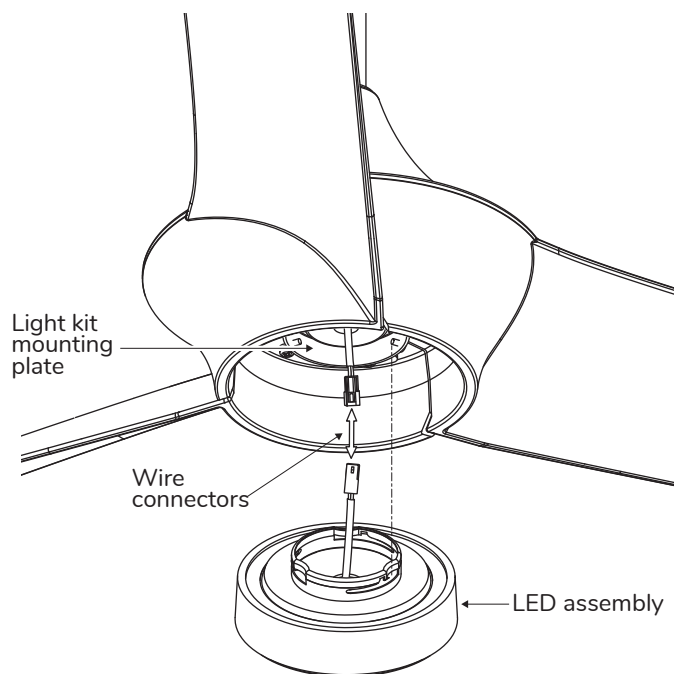
1. Fasten blade to motor with provided blade support plates and screws. Repeat procedure for remaining blades. Make sure screws are TIGHT! Loose motor screws can contribute to unnecessary hum or wobble during operation.



## INSTALLING THE LED ASSEMBLY

**WARNING:** Before starting installation, disconnect the power by turning off the circuit breaker or removing the fuse at fuse box. Turning power off using the fan switch is not sufficient to prevent electric shock.

1. While holding the LED assembly under your fan, make the polarize plug connections:
  - White to white
  - Black to black
2. Raise glass LED assembly against light kit mounting plate and secure it to the fan by turning the LED assembly clockwise until snug. **DO NOT OVERTIGHTEN.**
3. Restore power and your light kit is ready for operation.



# OPERATION

**IMPORTANT:** If you have two or more fans, please follow steps below to control each fan independently. Also follow steps below to re-pair the remote and the receiver when needed.

**NOTE:** The dip switch in the battery compartment has been set on “0” position for your convenience. If you want to re-pair the remote, please set the dip switch on “1” position.

Install one 23A/12V battery (included). To prevent damage to transmitter, remove the battery if not used for long periods of time.

**1. 1, 2, 3, 4, 5 and 6 button:**

These six buttons are used to set the fan speed as follows:

- 1 = minimum speed
- 2 = low speed
- 3 = medium low speed
- 4 = medium speed
- 5 = medium high speed
- 6 = high speed

**2. ■ button:**

This button turns the fan off.

**3. ↺ Reverse button:**

This button is to control fan direction.

**4. 💡 Light Button:**

This button is to control light “ON/OFF” and “Dimmable” condition.

**5. SET code setting button:**

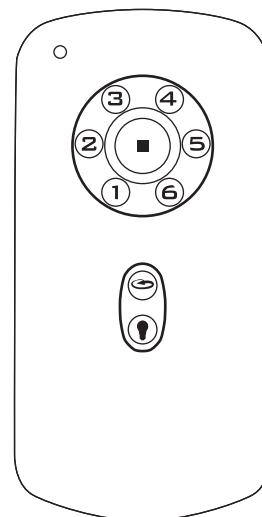
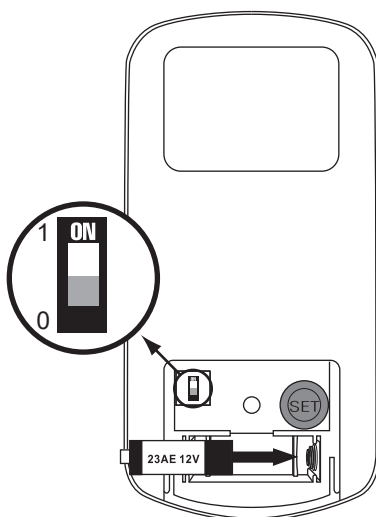
Follow the below steps to set the remote control: The auto learning function will only mandate within 60 seconds when turning the fan’s AC power ON.

**a)** Slide the dip switch in the battery compartment to the “1” position.

**b)** With the fan’s power off, restore power to the fan. From the back of the transmitter, Press and hold “SET” button for about 5 seconds and release. If the light kit is installed, the light kit will flash twice and the signal light on the remote control will come on when the button is pressed. The fan has completed the pairing process with the remote control and is ready for use.

**NOTE:** If the self calibration test failed, turn the AC power off; restore power and process the self calibration test again.

**NOTE:** During self calibration test, the remote is non-functional.



## OPERATION (CONTINUED)

---


**NOTE:** The learning frequency function and self calibration test will continue to retain the last set frequency and calibration set even when the AC power is shut off. If the frequency is changed the self calibration test will occur again.

This receiver provides the following protective function:

1. **Lock Rotor Position:** The DC motor has a built-in safety against a stalled or locked rotor condition (stalled blade rotation). If there is an obstruction or fault with the motor, the current monitoring function will automatically turn power off to the motor after 30 seconds. Remove the obstruction and turn the AC power off. Restore power and re-start fan motor.

2. **Over 80W protection:** When the receiver detects motor power consumption which is greater than 80W, the receiver power will be stopped and operation will immediately discontinue. Wait for 5 seconds and then turn the receiver power back on.

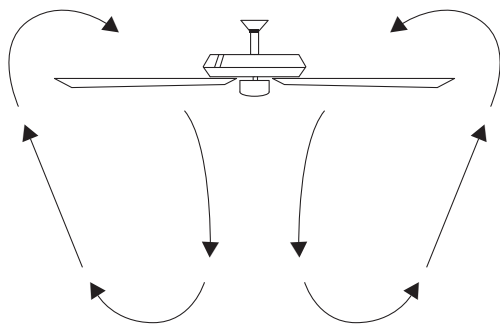
Speed settings for warm or cold weather depend on factors such as room size, ceiling height and number of fans.

**NOTE:** To operate the reverse function on this fan, press the  button while the fan is running.

### Summer Mode and Winter Mode Operation

#### Summer Mode (forward):

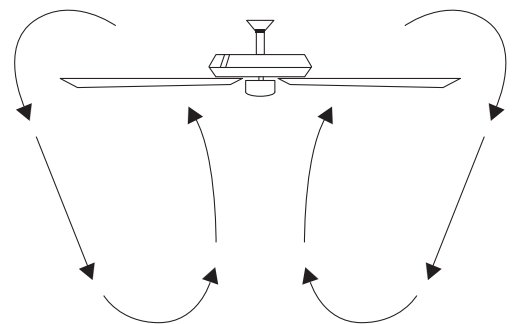
A DOWNWARD airflow creates a cooling effect. This allows you to set your air conditioner on a warmer setting without affecting your comfort.



SUMMER MODE  
(COUNTERCLOCKWISE DIRECTION)

#### Winter Mode (Reverse):

An UPWARD airflow moves warmer air off the ceiling area. This allows you to set your heating unit on a cooler setting without affecting your comfort.

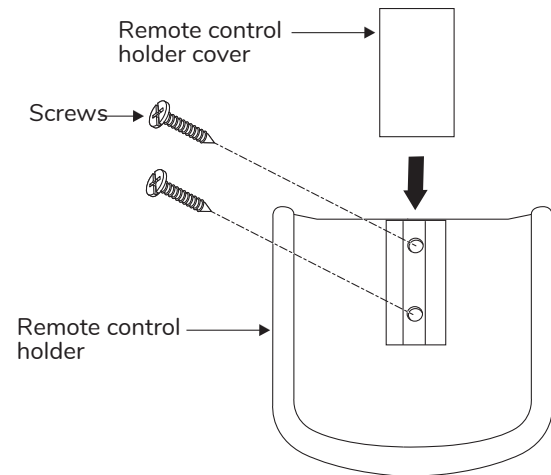


WINTER MODE  
(CLOCKWISE DIRECTION)

## INSTALLING THE REMOTE CONTROL HOLDER

---

1. Remove the remote control holder cover from the remote control holder.
2. Attach the remote control holder with the two remote control holder mounting screw provided.
3. Replace the remote control holder cover into remote control holder.



## CARE AND CLEANING

---

- Periodically it may be necessary to re-tighten blade to blade arm screws or blade arm to motor screws to prevent clicking or humming sound during operation. This is especially true in climates with broad temperature and humidity ranges.
- When dusting the blades, you must support the blade to prevent bending - no pressure should be applied to the blades. If you experience any flaws in the operation of your fan, please check the following points.

# TROUBLESHOOTING

---

## PROBLEM

## SOLUTION

### FAN WILL NOT START

1. Check circuit fuses or breakers.
2. Check wall control LED indicator light. If LED is not illuminated when pushing a button, it is not transmitting a signal. Please check battery, power to wall control/ circuit breaker and all electrical connections.
3. Assure there are no more than 2 fans operating on a circuit through the wall control. Assure that there are no more than 12 fans operating on a circuit through an on/off wall switch or a breaker (not through a wall control).
4. Assure that the fan is within range of the wall control (30 ft.).

### FAN SOUNDS NOISY

1. Allow a 24-hour “breaking-in” period. Most noise associated with a new fan will disappear during this time.
2. Make sure all motor housing screws are securely fastened.
3. Make sure the screws that attach the fan blade to the fan are tight.
4. Make sure your ceiling box is secure and rubber isolator pads are used between the mounting bracket and outlet box.

### FAN WOBBLES

1. Check that all blade to motor and blade arm screws are secure.
2. If the blade wobble is still noticeable, interchanging two adjacent (side by side) blades can redistribute the weight and possibly result in smoother operation.
3. Make sure the mounting plate is securely fastened to the ceiling outlet box.
4. Make sure ceiling box is secure.

# KUZCO GROUP CEILING FAN LIFETIME LIMITED WARRANTY

---

Kuzco Group products are warranted against defects in materials and construction, subject to conditions and exclusions, for a period of two (2) years from the date of product shipment to the customer. Kuzco Group warrants the original owner that the motor in the fan will be free from defects for the lifetime of the fan. This warranty does not apply to fans which have been damaged because of improper installation, removed from the original installation or subjected to use for which the fan was not designed. The customer is responsible for any cost of removing the old fan, installing a new fan or any other costs. This limited lifetime warranty is in lieu of all other expressed warranties. Kuzco Group shall not be liable for any incidental or consequential damages.

Below is a detailed list of items warranted:

PART	RESIDENTIAL USE	COMMERCIAL/HOSPITALITY USE
Motor	Lifetime	Lifetime
Integrated LED Components	5 Years	3 Years
LED Bulbs	3 Years	1 Year
Blades, Controls, Switches, Capacitors, Hardware	1 Year	1 Year

## What is covered?

- Parts that arrive damaged
- Parts missing from the box
- Parts that do not function properly
- Parts that have ceased proper functioning within warranty limits

## What is not covered?

- Installation costs
- Parts worn down with regular usage
- Parts damaged in installation
- Modified parts
- Parts out of warranty

**WARRANTY APPLIES ONLY TO ORIGINAL PURCHASER FROM AN AUTHORIZED KUZCO GROUP DISTRIBUTOR.**