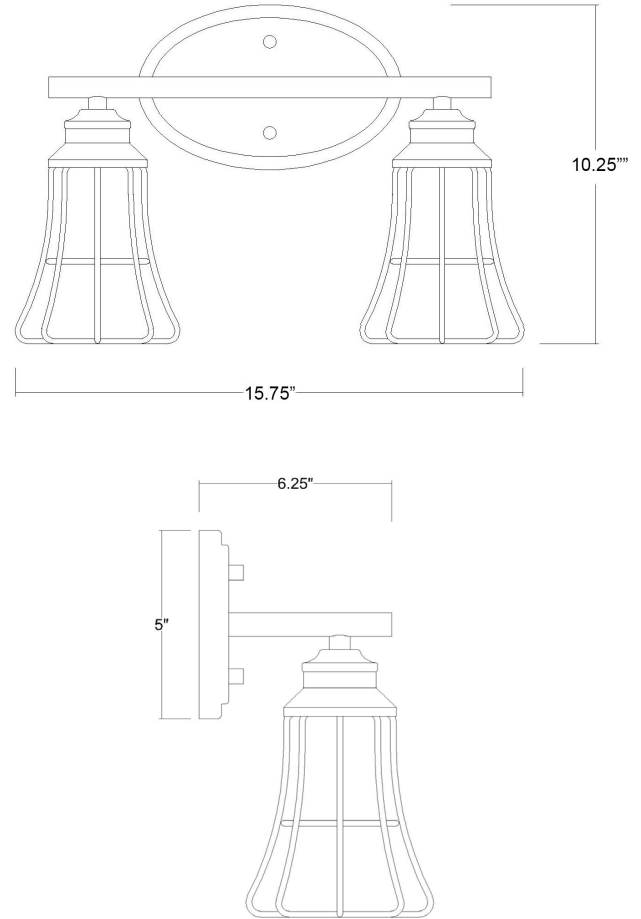


IN41281BK

PIERS 2-LIGHT WALL SCONCE



| | |
|--------------------------|---|
| Description: | Piers 2-Light Wall Sconce |
| Finish: | Matte black |
| Dimensions: | 15-3/4" W x 10-1/4" H x 6-1/4" ext. Height on Center: 2-1/2" |
| Bulbs: | 2-100W Med. |
| Installed Weight: | 2.25 lbs. |
| Certification: | cUL / dry location |

| | |
|-------------------------------|----------------------|
| Material: | Steel |
| Shades: | NA |
| Glass: | NA |
| Back Plate Dimensions: | 8" x 5" oval |
| Chain/Wire: | NA |
| Additional Finishes: | Oil-rubbed bronze |