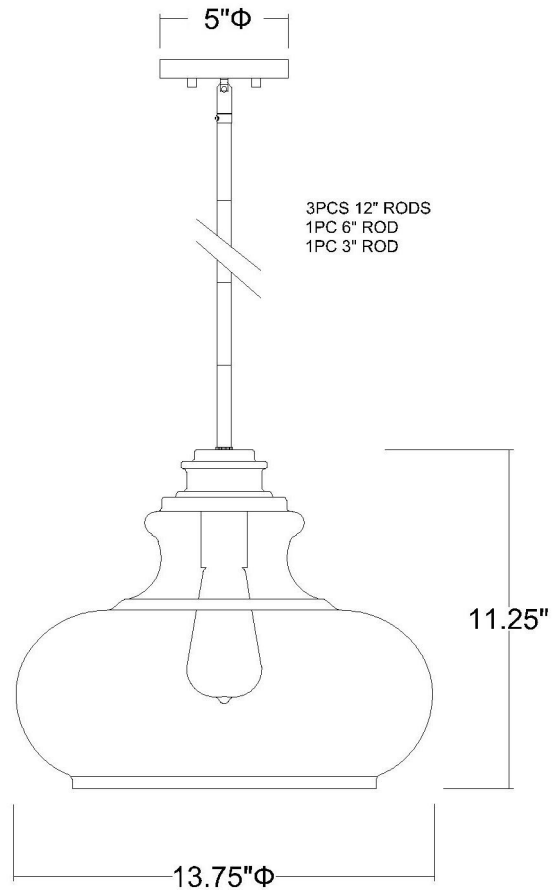


# IN21251ORB

## TORREL 1-LIGHT PENDANT



<b>Description:</b>	Torrel-Light Pendant
<b>Finish:</b>	Oil Rubbed Bronze
<b>Dimensions:</b>	13-3/4" Dia. x 11-1/4" H
<b>Bulbs:</b>	1-100W Med.
<b>Installed Weight:</b>	6.15 lbs.
<b>Certification:</b>	cUL / dry location

<b>Material:</b>	Steel and glass
<b>Shades:</b>	Glass
<b>Glass:</b>	Clear
<b>Canopy Dimensions:</b>	5" Dia.
<b>Chain/Wire:</b>	12' Wire
<b>Stems:</b>	3-12", 1-6", 1-3"
<b>Additional Finishes:</b>	SN