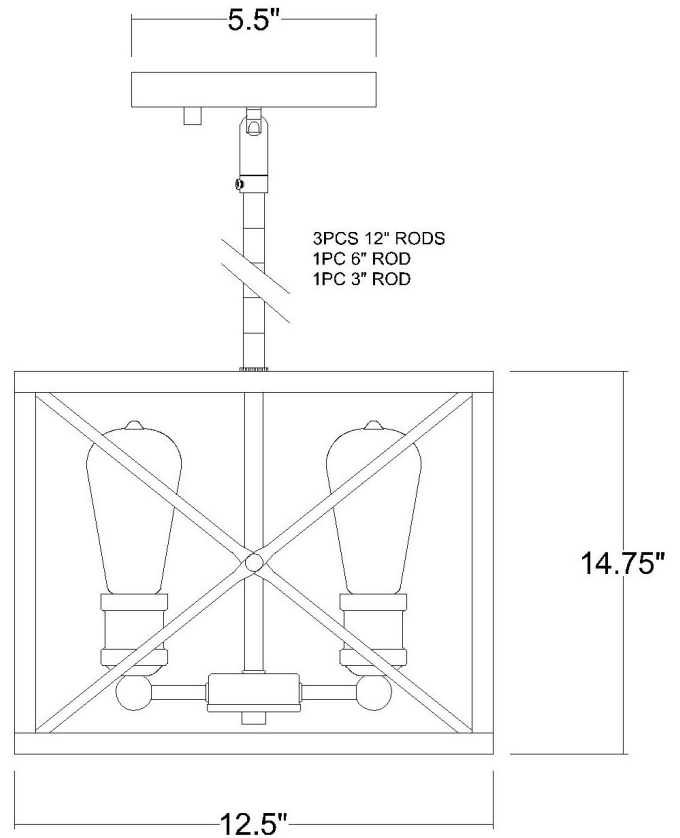


# IN21124ORB

## BROOKLYN 4-LIGHT SEMI-FLUSH



**Description:** Brooklyn 4-Light Semi-Flush

**Finish:** Oil Rubbed Bronze

**Dimensions:** 12-1/2" Sq. x 14-3/4" H

**Bulbs:** 4-100W. Med.

**Installed Weight:** 7.8 lbs.

**Certification:** cUL / dry location

**Material:** Steel

**Shades:** NA

**Glass:** NA

**Canopy Dimensions:** 5-1/2" Sq.

**Chain/Wire:** 12' Wire

**Stems:** 3-12", 1-6", 1-3"

**Additional Finishes:** NA