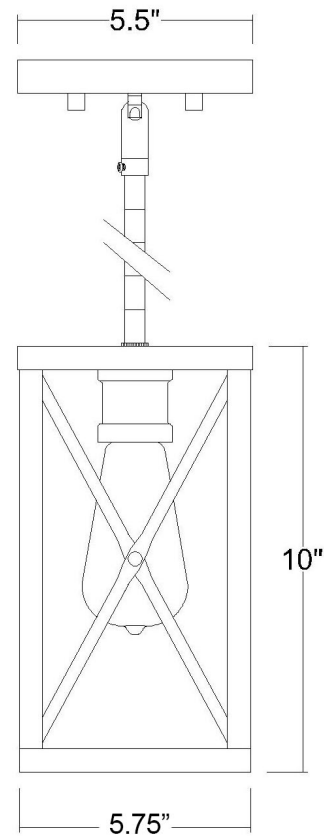


IN21122ORB

BROOKLYN 1-LIGHT MINI PENDANT



Description:	Brooklyn 1-Light Mini Pendant
Finish:	Oil Rubbed Bronze
Dimensions:	5-3/4" Sq. x 10" H
Bulbs:	1-100W. Med.
Installed Weight:	2 lbs.
Certification:	cUL / dry location

Material:	Steel
Shades:	NA
Glass:	NA
Canopy Dimensions:	5-1/2" Sq.
Chain/Wire:	12' Wire
Stems:	3-12", 1-6", 1-3"
Additional Finishes:	NA