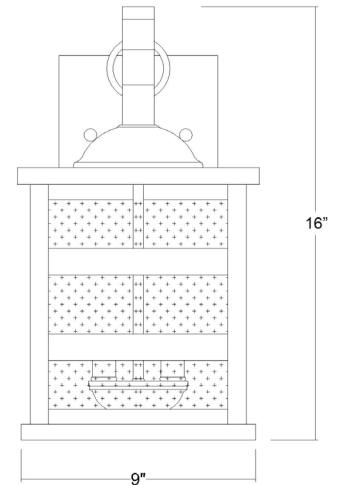
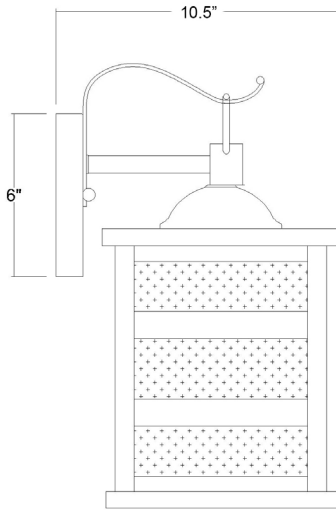


# 1692BK

## MORRIS 3-LIGHT WALL LANTERN



<b>Description:</b>	Morris 3-Light Wall Lantern
<b>Finish:</b>	Matte Black
<b>Dimensions:</b>	9" W x 16" H x 10-1/2" ext. Height on Center: 4-1/2"
<b>Bulbs:</b>	3-60W Cand.
<b>Installed Weight:</b>	8.8 lbs
<b>Certification:</b>	cETL / wet location

<b>Material:</b>	Steel and glass
<b>Shades:</b>	NA
<b>Glass:</b>	Clear Water Glass
<b>Back Plate Dimensions:</b>	6" Sq.
<b>Chain/Wire:</b>	NA
<b>Additional Finishes:</b>	NA