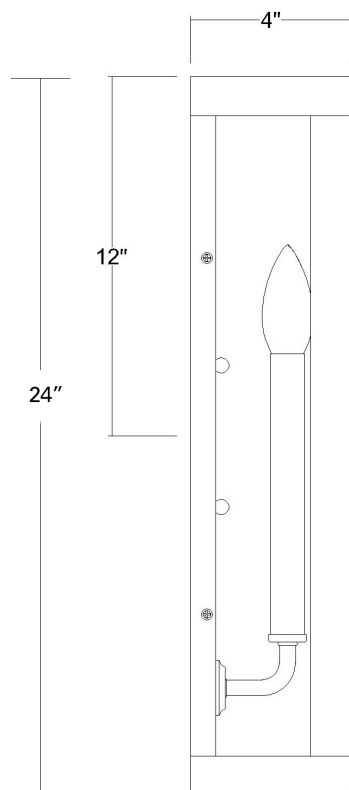


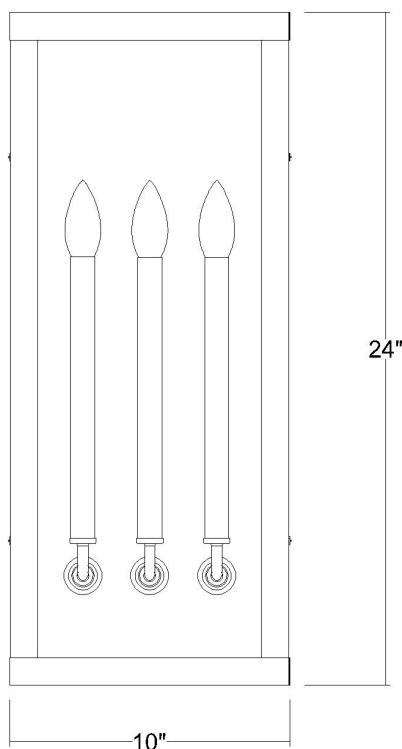
1522ORB

CHARLESTON 3-LIGHT WALL SCONCE

Side View



Front View



Description:	Charleston 3-light wall sconce
Finish:	Oil-rubbed bronze
Dimensions:	10" W x 24" H x 4" ext. Height on center: 12"
Bulbs:	3-60w candelabra
Installed Weight:	10.5 lbs.
Certification:	Wet location / ETL

Material:	Stainless steel and glass
Shade:	NA
Glass:	Clear water glass
Back Plate Dimensions:	10" x 24"
Chain/Wire:	NA
Additional Finishes:	Antique brass