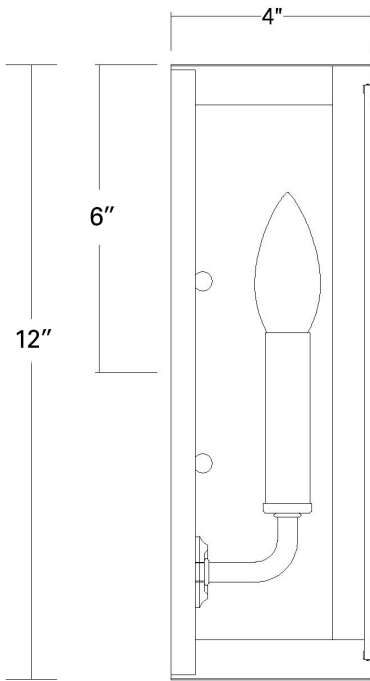


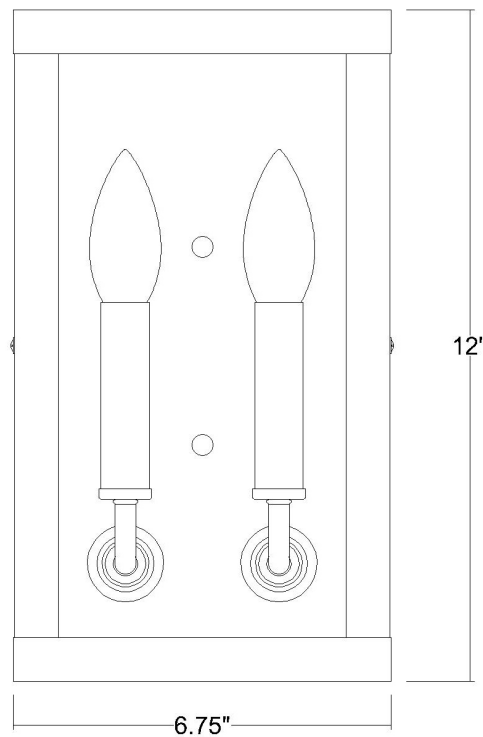
1520ATB

CHARLESTON 2-LIGHT WALL SCONCE

Side View



Front View



Description:	Charleston 2-light wall sconce
Finish:	Antique brass
Dimensions:	6-3/4" W x 12" H x 4" ext. Height on center: 6"
Bulbs:	2-60w candelabra, 120V
Installed Weight:	4.5 lbs.
Certification:	Wet location / ETL

Material:	Stainless steel and glass
Shade:	NA
Glass:	Clear water glass
Back Plate Dimensions:	6-3/4" x 12"
Chain/Wire:	NA
Additional Finishes:	Oil rubbed bronze