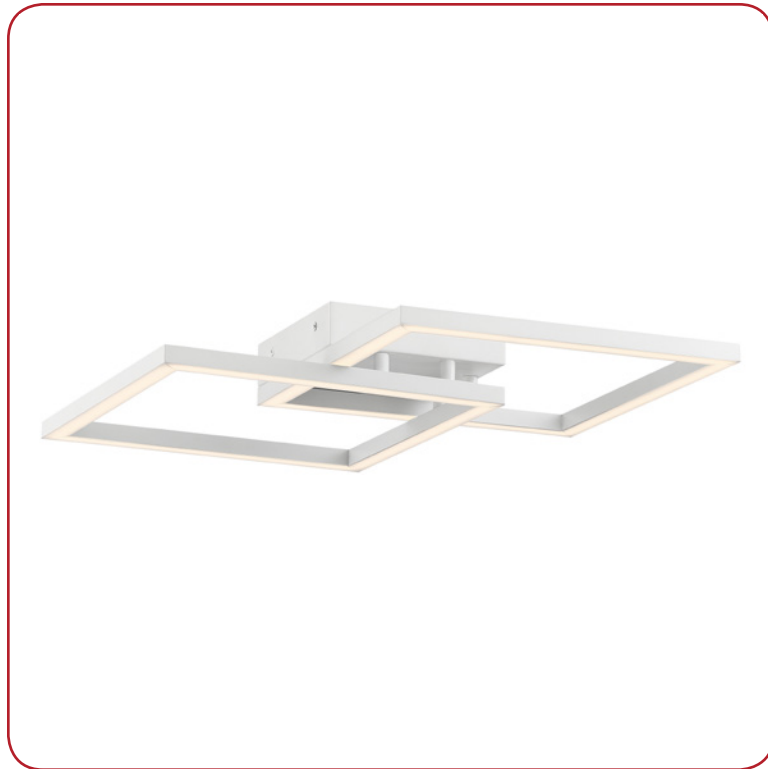


Model No :: **63966LEDD-WH/ACR**  
 Name :: Squared



Project Name :: \_\_\_\_\_  
 Location :: \_\_\_\_\_  
 Type :: \_\_\_\_\_  
 Quantity :: \_\_\_\_\_  
 Notes :: \_\_\_\_\_

**Product Information**

Product ID :: 63966  
 UPC Code :: 641594229035  
 Mounting Type :: Ceiling or Wall  
 Finish :: White (WH)  
 Diffuser :: Acrylic Lens (ACR)  
 Alt. Finishes :: Black (BL); White (WH)  
 Alt. Diffusers :: Acrylic Lens (ACR)

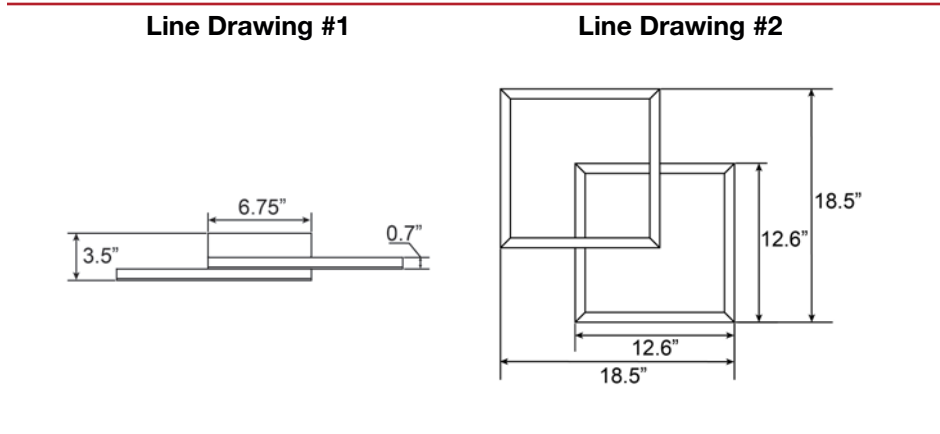
**Product Dimensions**

Fixture	Canopy
Length :: N/A	Length :: 1.75"
Width :: 18.5"	Width :: 6.75"
Diameter :: N/A	Diameter :: N/A
Extension :: 3.5"	Height :: 6.75"
Height :: 18.5"	
Overall Height :: N/A	



**Technical Specifications**

Qualifications	Specifications	Photometrics	Recommended Dimmers
Location Rating :: Damp	Frame Material :: Metal	CCT :: 3000	(ELV) LUTRON Diva DVELV-300P; (ELV) LUTRON Skylark SELV-300P; (TRIAC) LUTRON Diva DVCL-153P
Certification :: UL Listed (US/Canada)	Diffuser Material :: Acrylic	CRI :: 85	
IES File ::	Voltage :: 120v	Wattage :: 30w	
JA8 Compliant :: No	Lamping Type :: Dedicated LED	Nominal Lumens :: 2400Lm	
Energy Star :: No	Lamping Base :: SSL	Delivered Lumens :: N/A	
ADA Compliant :: Yes	Lamp Quantity :: 1	Additional Items :: 0	
Marine Grade :: No	Lamp Wattage :: 30 W		
Emergency Lighting :: No	Total Wattage :: 30w		
Warranty :: 5 Year Limited	Lamps Included :: Yes		
	J-Box Type :: Standard		



**IES File**

Image Not Available

**Toll Free 800-828-5483 • www.AccessLighting.com**

14410 Myford Road, Irvine, CA 92606  
 The information provided is subject to change without notice. ©2020 Access Lighting Corporation. All Rights Reserved  
 Rev. 202004 Filename:: 63966LEDD-WH\_ACR.pdf

