

Model No :: **23020LEDD-BS/WH**
 Name :: **Mona**



Project Name :: _____
 Location :: _____
 Type :: _____
 Quantity :: _____
 Notes :: _____

Product Information

Product ID :: 23020
 UPC Code :: 641594201222
 Mounting Type :: Ceiling
 Finish :: Brushed Steel (BS)
 Diffuser :: White (WHT)
 Alt. Finishes :: Chrome (CH); Rust (RU); White (WH)
 Alt. Diffusers :: Alabaster (ALB)

Product Dimensions

Fixture		Canopy	
Length ::	N/A	Length ::	N/A
Width ::	N/A	Width ::	N/A
Diameter ::	16"	Diameter ::	N/A
Extension ::	N/A	Height ::	N/A
Height ::	4.5"		
Overall Height ::	N/A Max.		



Technical Specifications

Qualifications

Location Rating :: Dry
 Certification :: cULus
 IES File :: No
 JA8 Compliant :: No
 Title 20 Compliant :: N/A
 Energy Star :: Yes
 ADA Compliant :: No
 Marine Grade :: No
 Emergency Lighting :: No
 Warranty :: 5 Year Limited

Specifications

Frame Material :: Steel
 Diffuser Material :: Glass
 Voltage :: 120v
 Lamping Type :: Dedicated LED
 Lamping Base :: SSL
 Lamp Quantity :: 1
 Lamp Wattage :: 17 W
 Total Wattage :: 17 W
 Lamps Included :: Yes
 J-Box Type :: Standard

Photometrics

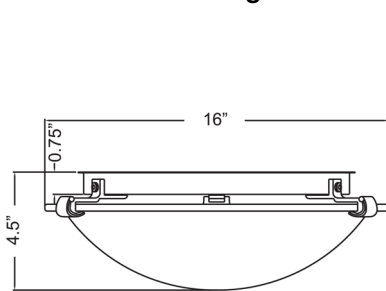
CCT :: 3000
 CRI :: 90
 Wattage :: 17 W
 Nominal Lumens :: 1440
 Delivered Lumens :: 1101

Recommended Dimmers

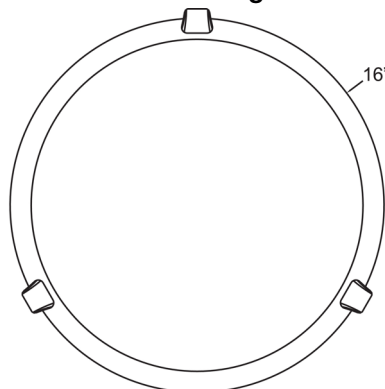
(ELV) LUTRON Diva DVELV-300P; (ELV) LUTRON Diva DVELV-303P; (ELV) LUTRON Skylark SELV-300P; (TRIAC) LUTRON Diva DV-600P

Custom Options :: Alternate Color Temperature Available, Available In Warm Dimming, Available in 0-10V Dim, Available in 277V;
Additional Items :: N/A

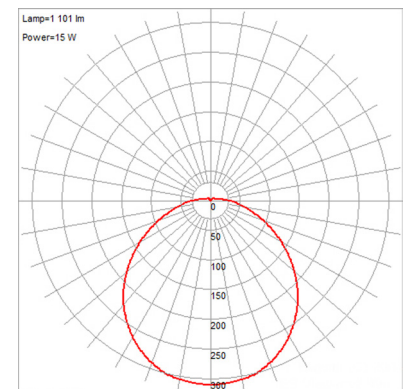
Line Drawing #1



Line Drawing #2



IES File



Toll Free 800-828-5483 or www.AccessLighting.com

14410 Myford Road, Irvine, CA 92606

The information provided is subject to change without notice. ©2018 Access Lighting Corporation. All Rights Reserved
 Rev. 201902 Filename: 23020LEDD-BS_WH.pdf

