

Model No :: **20738LEDDL-BS/OPL**
 Name :: Iron



Project Name :: _____
 Location :: _____
 Type :: _____
 Quantity :: _____
 Notes :: _____

Product Information

Product ID :: 20738
 UPC Code :: 641594229868
 Mounting Type :: Ceiling
 Finish :: Brushed Steel (BS)
 Diffuser :: Opal (OPL)
 Alt. Finishes :: Brushed Steel (BS)
 Alt. Diffusers :: Opal (OPL)

Product Dimensions

Fixture		Canopy	
Length ::	N/A	Length ::	N/A
Width ::	N/A	Width ::	N/A
Diameter ::	6.25"	Diameter ::	4.75"
Extension ::	N/A	Height ::	1"
Height ::	12"		
Overall Height ::	13-58"		



Technical Specifications

Qualifications

Location Rating :: Dry
 Certification :: UL Listed (US/Canada)
 IES File ::
 JA8 Compliant :: Yes
 Energy Star :: Yes
 ADA Compliant :: No
 Marine Grade :: No
 Emergency Lighting :: No
 Warranty :: 3 Year Limited

Specifications

Frame Material :: Steel
 Diffuser Material :: Glass
 Voltage :: 120v
 Lamping Type :: Replaceable LED
 Lamping Base :: E-26
 Lamp Quantity :: 1
 Lamp Wattage :: 10 W
 Total Wattage :: 10w
 Lamps Included :: Yes
 J-Box Type :: Standard

Photometrics

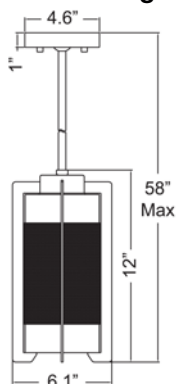
CCT :: 3000
 CRI :: 90
 Wattage :: 10w
 Nominal Lumens :: 800Lm
 Delivered Lumens :: N/A

Recommended Dimmers

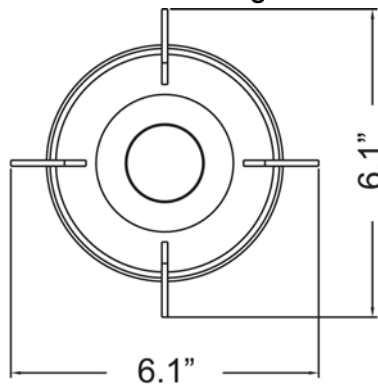
(ELV) LUTRON Skylark SELV-300P; (MLV) COOPER Aspire 9530SW; (TRIAC) LEGRAND Titan CD703-PW

Additional Items :: 0

Line Drawing #1



Line Drawing #2



IES File

Image Not Available

Toll Free 800-828-5483 • www.AccessLighting.com

14410 Myford Road, Irvine, CA 92606

The information provided is subject to change without notice. ©2020 Access Lighting Corporation. All Rights Reserved
 Rev. 202004 Filename: 20738LEDDL-BS_OPL.pdf

