

Model No :: **20446LEDDL-BS/WHT**
 Name :: Prong



Project Name :: _____
 Location :: _____
 Type :: _____
 Quantity :: _____
 Notes :: _____

Product Information

Product ID :: 20446
 UPC Code :: 641594229608
 Mounting Type :: Wall
 Finish :: Brushed Steel (BS)
 Diffuser :: White (WHT)
 Alt. Finishes :: Brushed Steel (BS); Matte Black (MBL)
 Alt. Diffusers :: White (WHT)

Product Dimensions

Fixture	Canopy
Length :: N/A	Length :: 11.25"
Width :: 7.25"	Width :: 6.75"
Diameter :: N/A	Diameter :: N/A
Extension :: 3.75"	Height :: 0.5"
Height :: 12.5"	
Overall Height :: N/A	



Technical Specifications

Qualifications

Location Rating :: Damp
 Certification :: UL Listed (US/Canada)
 IES File ::
 JA8 Compliant :: Yes
 Energy Star :: Yes
 ADA Compliant :: Yes
 Marine Grade :: No
 Emergency Lighting :: No
 Warranty :: 3 Year Limited

Specifications

Frame Material :: Steel
 Diffuser Material :: Glass
 Voltage :: 120v
 Lamping Type :: Replaceable LED
 Lamping Base :: E-26
 Lamp Quantity :: 2
 Lamp Wattage :: 10 W
 Total Wattage :: 20w
 Lamps Included :: Yes
 J-Box Type :: Standard

Photometrics

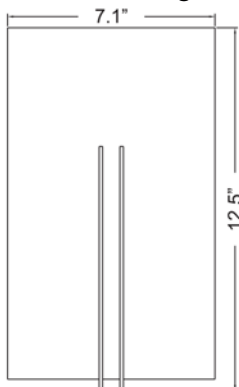
CCT :: 3000
 CRI :: 90
 Wattage :: 20w
 Nominal Lumens :: 1600Lm
 Delivered Lumens :: N/A

Recommended Dimmers

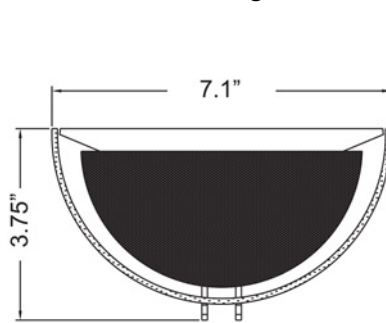
(ELV) LUTRON Skylark SELV-300P; (MLV) COOPER Aspire 9530SW; (TRIAC) LEGRAND Titan CD703-PW

Additional Items :: 0

Line Drawing #1



Line Drawing #2



IES File

Image Not Available

Toll Free 800-828-5483 • www.AccessLighting.com

14410 Myford Road, Irvine, CA 92606

The information provided is subject to change without notice. ©2020 Access Lighting Corporation. All Rights Reserved
 Rev. 202004 Filename:: 20446LEDDL-BS_WHT.pdf

