



## INSTALLATION INSTRUCTIONS

### IMPORTANT

Before assembling your ACCESS LIGHTING fixture, please make sure that you carefully read through this instruction sheet. Save this instruction sheet and refer to it when additions to or changes in the fixture configuration are made.

Enregistrer cette feuille d'instructions et de s'y référer lorsque les ajouts ou changements dans la configuration de montage sont faites

Consider having your fixture installed by a qualified licensed electrician.

**NOTE:** The important safeguards and instructions that appear in this manual are not meant to cover all possible conditions and situations that may occur. It must be understood that common sense, caution and care are factors that can't be built into any product. These factors must be supplied by the person(s) caring for and operating the fixture

### GENERAL INFORMATION

All electrical connections must be in accordance with all ordinances, Local and National Electrical Codes. These fixtures are intended for mounting to standard 4" x 2 1/2" metal octagon outlet box. The box must be directly supported by the building structure and U.L Recognized

### STEP-BY-STEP INSTRUCTIONS

Before starting your installation disconnect the Power by turning off the Circuit Breaker or by removing the fuse at the fuse box. Just turning the light off at the light switch is not sufficient to prevent electrical shock.

**COLLECTION**  
Nido

**APPLICATION**  
Ceiling Fixture

**MODEL NO.**  
63951

### IMPORTANT SAFETY INSTRUCTION

#### MESURES DE SECURITE A RESPECTER

Consult a qualified electrician to ensure correct branch circuit conductor.

Consulter un electricien qualifie pour vous assurer que les conducteurs de la derivation sont adequats

This product must be installed in accordance with the applicable installation code by a person familiar with the construction and operation of the product and the hazards involved.

Ce produit doit etre installe selon le code d'installation pertinent, par une personne qui connait bien le produit et son fonctionnement ainsi que les risques inherents

Do not install this fixture in hazardous locations.

N'installez pas cet appareil dans des emplacements dangereux

Do not install fixture assembly closer than 6 inches from any curtain or similar combustible material.

Laisser une distance d'au moins 6 pouces entre ce luminaire et la toute surface combustible.

**WARNING:** Risk of Fire and Electric Shock

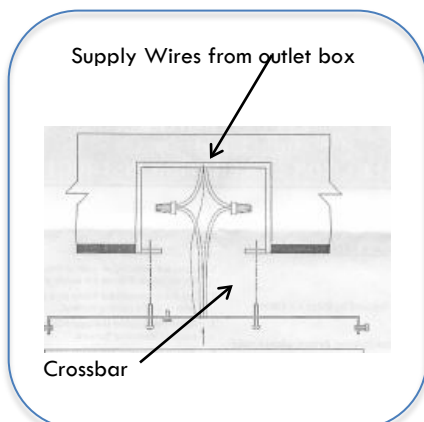
**CAUTION:** Risque d' Incendie et de Choc Electriques

### WHAT WE PROVIDE

- Fixture Housing
- Mounting Hardware
- 1 Glass Diffusers (Model dependent)
- 1 x 100W HGN/J78mm Bulb (Model dependent)

### WHAT YOU NEED

- Screwdriver
- Wire Cutters
- Wiring Supplies as Specified by the Electrical Code



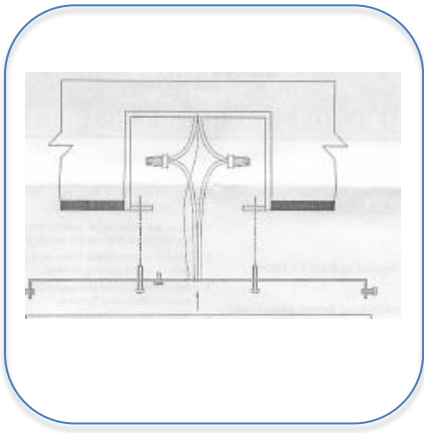
1

### PREPARE FIXTURE

If there is an existing fixture remove it.

Expose the supply wires from the outlet box.

Attach the supplied U-shaped Crossbar to the Junction Box with the supplied Mounting Screws.

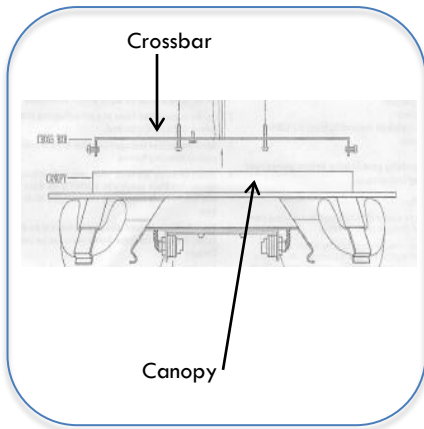


2

### CONNECT THE WIRES

Connect the black supply wire to the black fixture wire. Secure with the supplied wire nuts. Connect the white supply wires to the fixture wire. Secure with the supplied wire nuts. Either wrap the outlet box grounding (green) wire around the green hexagonal screw provided on the mounting plate or connect it to the supply ground wire provided with the fixture. Secure all wires with U.L Certified electrical tape (not supplied).

Tuck all wires carefully into the J-box.

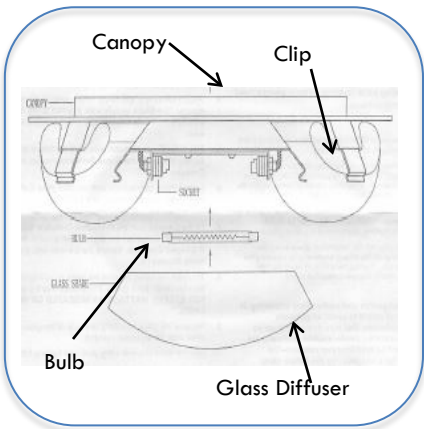


3

### MOUNT THE CANOPY

Fit the Canopy over the Crossbar ensuring that the holes in the Canopy are aligned with the holes in the arms of the U-shaped Crossbar. Secure the Canopy with the supplied Knob Screws.

Do not exceed the wattage stated on the warning label.



4

### SECURE THE GLASS SHADE AND INSERT THE BULB

To install the bulbs, remove the glass by pulling one clip, and then the other, back gently. Insert the bulb into the socket. Ensure a soft glove is used to handle the bulb(s)

Replace the glass by sliding one side of the glass and then the other side, gently under the clips.



5

### RESTORE THE ELECTRICITY AND CHECK THE OPERATION OF YOUR NEW ACCESS LIGHTING FIXTURE

#### CAUTION

Please ensure that the fitting is cool and switched off before replacing the bulb. DO NOT use bulbs that might exceed the maximum wattage as stated on caution label.