

access

LIGHTING

INSTALLATION INSTRUCTIONS

IMPORTANT SAFETY INSTRUCTIONS

MESURES DE SECURITE A RESPECTURE

Before assembling your ACCESS LIGHTING fixture, please make sure that you carefully read through this instruction sheet. Save this instruction sheet and refer to it when additions to or changes in the fixture configuration are made.

Lisez attentivement ce manuel d'instructions. Enregistrer cette feuille d'instructions et de s'y référer lorsque les ajouts ou changements dans la configuration de montage sont faites.

CONSULT A QUALIFIED ELECTRICIAN TO ENSURE CORRECT BRANCH CIRCUIT CONDUCTOR.

CONSULTER UN ELECTRICIEN QUALIFIE POUR VOUS ASSURER QUE LES CONDUCTEURS DE LA DERIVATION SONT ADEQUATS

THIS PRODUCT MUST BE INSTALLED IN ACCORDANCE WITH THE APPLICABLE INSTALLATION CODE BY A PERSON FAMILIAR WITH THE CONSTRUCTION AND OPERATION OF THE PRODUCT AND THE HAZARDS INVOLVED.

CE PRODUIT DOIT ETRE INSTALLE SELON LE CODE D'INSTALLATION PERTINENT, PAR UNE PERSONNE QUI CONNAIT BIEN LE PRODUIT ET SON FONCTIONNEMENT AINSI QUE LES RISQUES INHERENTS

NOTE: The important safeguards and instructions that appear in this manual are not meant to cover all possible conditions and situations that may occur. It must be understood that common sense, caution and care, are factors that can't be built into any product. These factors must be supplied by the person(s) caring for and operating the fixture.

Read all instructions

Do not install this fixture in hazardous locations.

N'installez pas cet appareil dans des emplacements dangereux.

Do not install any fixture assembly closer than 6 inches from any curtain or similar combustible material.

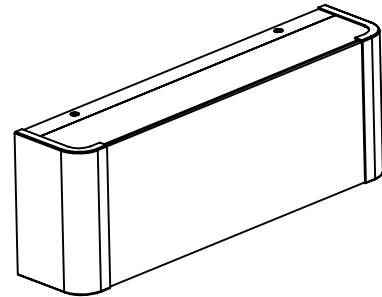
Laisser une distance d'au moins 6 pouces entre ce luminaire et la toute surface combustible.

"WARNING Risk of Fire and Electric Shock."

"CAUTION: Risque d'Incendie et de Choc Electriques."

GENERAL INFORMATION

All electrical connections must be in accordance with all ordinances, Local and the U.S. National Electrical Codes (NEC). These fixtures are intended for mounting to a standard 4" metal octagon outlet box. The box must be directly supported by the building structure and U.L. Recognized.



COLLECTION

ORIGIN

APPLICATION

Wall Fixture

MODEL NO.

62503LEDD
62504LEDD
62505LEDD
62506LEDD

WHAT WE PROVIDE

- Mounting Plate
- Mounting Hardware
- Fixture assembly
- 16W LED (62503LEDD)
- 24W LED (62504LEDD)
- 32W LED (62505LEDD)
- 48W LED (62506LEDD)

WHAT YOU NEED

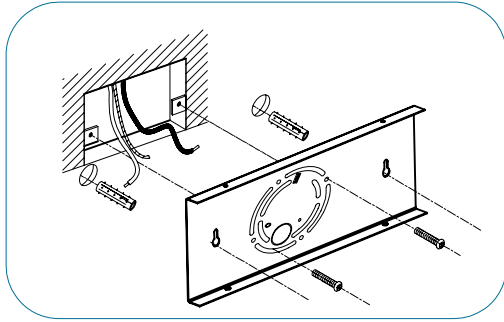
- Screwdriver
- Wire Cutters
- Wiring Supplies as Specified by Electrical Code

Recommended Dimmer Information for Model

- Lutron MACL-153MH(Maestro)
- Lutron DVWCL-153PH(Diva)
- Lutron MACL-153MR-WH-C(Maestro)
- Lutron DVELV-300P-WH(Diva)
- Lutron SCL-153P-WH(Skrlark)
- Lutron DVCL-153P-WH(Diva)
- Lutron DVLV-103P-WH(Diva)
- Legrand ADTH700RMTUM1(Touch)
- Leviton R02-DZMX1-12A

STEP BY STEP INSTRUCTIONS

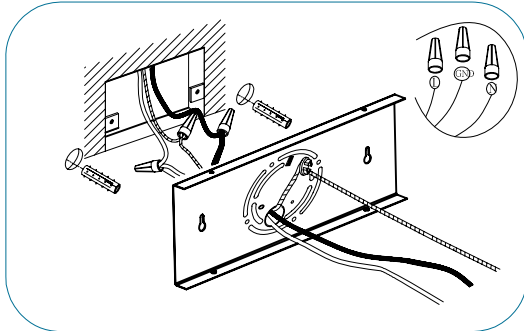
Before starting your installation disconnect the Power by turning off the Circuit Breaker or by removing the fuse at the fuse box. Just turning the light off at the light switch is not sufficient to prevent electrical shock.



1

REMOVE THE EXISTING FIXTURE

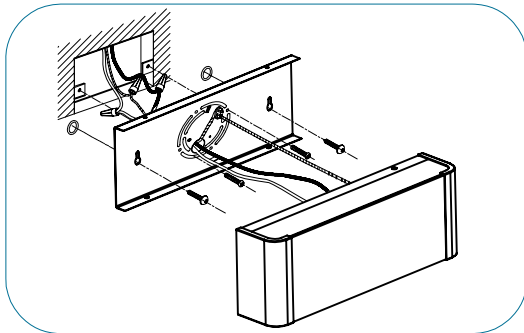
If there is an existing fixture, remove it. Expose the supply wires from the j-box.



2

MARK BACKPLATE LOCATION

Determine the desired location of your fixture. Hold the back plate up to the surface and mark with a pencil the location of the mounting plugs (small hole on the left and right hand side of the back plate). Drill a hole and insert the mounting plugs into the mounting surface.



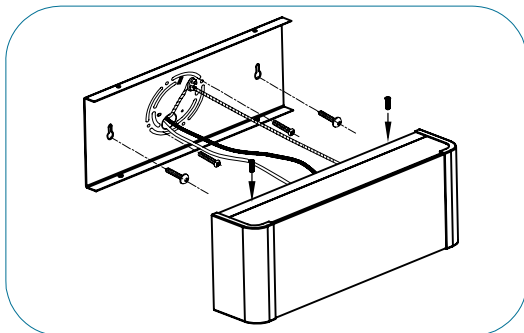
3

CONNECT THE WIRES

Gently pull the supply wires. Connect the black fixture wire to the black supply wire and the white fixture wire to the white supply wire. Connect the fixture ground wire to the ground wire from the j-box. Secure all connections with the supplied wire connectors and U.L listed electrical tape (not supplied). Tuck all wires carefully into the j-box.

MOUNT THE BACK PLATE

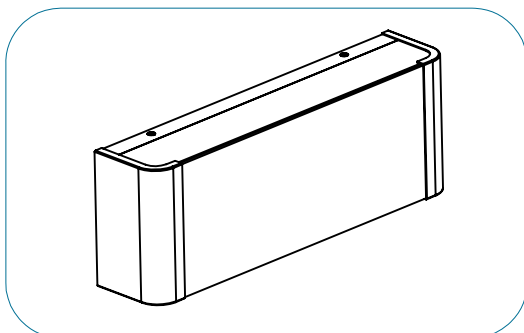
Position the back plate against the wall, secure the back plate to the surface by inserting the inner screws to the J-box. Now insert the next set of screws into the anchors that you have already secured in the wall or surface.



4

SECURE THE FIXTURE

Secure the fixture to the back plate by inserting the screws in back plate, that are at top and bottom, through the designated holes in the fixture.



5

RESTORE THE ELECTRICITY AND CHECK THE OPERATION OF YOUR NEW ACCESS LIGHTING FIXTURE

